

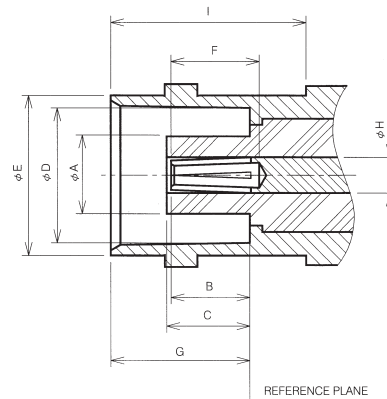
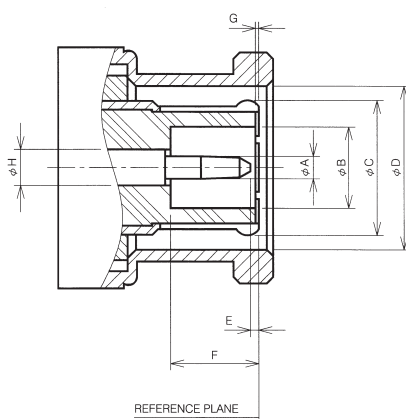
# BNC Series

## Specification BNC 50 ohm 0-4 GHz

BNC coaxial connectors are one of the world's most popular RF connectors. They are miniature, light-weight and can operate satisfactorily up to 4 GHz. The BNC is typically used in applications from DC to 4 GHz and yield low reflection in this frequency range.

Cable terminations are available in crimp, clamp, solder and jacket quick twist configurations. The two-stud bayonet lock coupling provides ease of connecting and disconnecting and is ideally suited for applications such as test equipment where this feature is notably significant. BNC connectors are most prevalent in computer networks, audio, data processing and telecommunications equipment because of their size and relatively low installed cost.

## Interface Mating Dimensions:



### PLUG

Letter	Millimeters(Inches)	
	Minimum	Maximum
A	1.32(0.052)	1.37(0.054)
B	4.83(0.190)	-
C	-	-
D	9.78(0.385)	9.91(0.390)
E	0.35(0.014)	-
F	5.33(0.210)	-
G	0.15(0.006)	-
H	2.14(0.0842) nom.	

### JACK

Letter	Millimeters(Inches)	
	Minimum	Maximum
A	4.60(0.1810)	4.67(0.1837)
B	4.55(0.179)	5.23(0.206)
C	-	5.28(0.208)
D	8.10(0.319)	8.15(0.321)
E	9.60(0.378)	9.70(0.382)
F	4.95(0.195)	-
G	8.31(0.327)	8.51(0.335)
H	2.140(0.0842) nom.	
I	10.52(0.414)	-