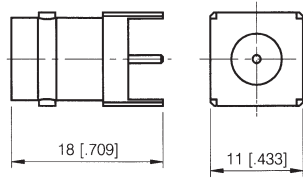
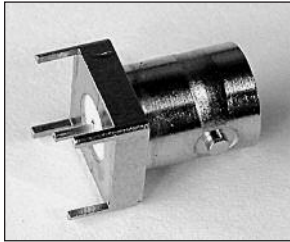


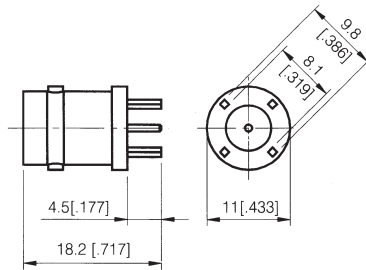
BNC Series

STRAIGHT JACK FOR PRINTED CIRCUIT BOARD



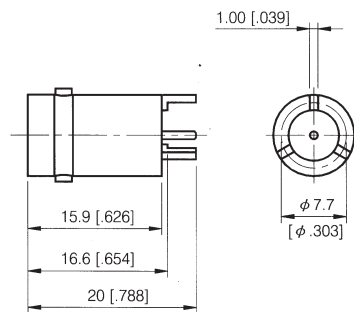
**STRAIGHT JACK FOR PRINTED
CIRCUIT BOARD**

PART NUMBER 701601BNC



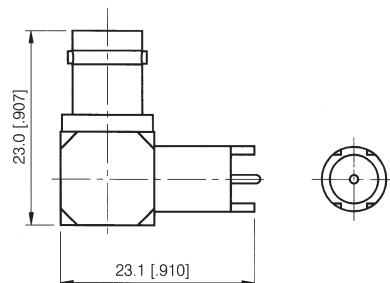
**STRAIGHT JACK FOR PRINTED
CIRCUIT BOARD**

PART NUMBER 701602BNC



**STRAIGHT JACK FOR PRINTED
CIRCUIT BOARD**

PART NUMBER 701603BNC



**RIGHT ANGLE JACK FOR PRINTED
CIRCUIT BOARD**

PART NUMBER 701604BNC