

MCX Series

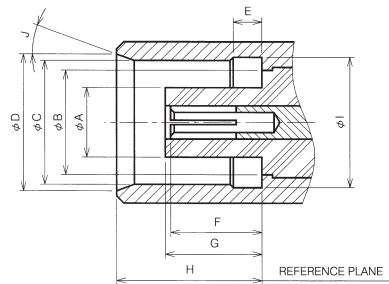
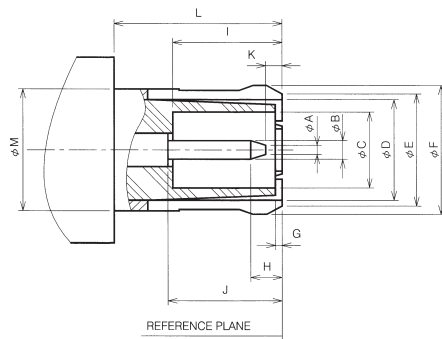
MCX - Specification:

MCX microminiature connectors provide repeatable performance from DC to 6 GHz. The design of these devices has taken into consideration the need for size reduction, low weight, durability and reliable performance. The MCX devices enable a 30% space reduction over similar SMB/SMC types.

The MCX is available for attachment to industry standard cable and as a printed circuit board device. The ** snap-on* connection feature between devices offer the user ease of assembly in dense packaging layouts.

Applications of the MCX are those where size, weight, performance and ease of assembly are the driving considerations to the final design decision. Typically, these include GPS, wireless communications (WLAN and mobile) and automotive.

Interface Mating Dimensions:



PLUG

Letter	Millimeters	
	Minimum	Maximum
A	-	0.25 (0.010)
B	0.48 (0.019)	0.53 (0.21)
C	2.00 (0.079)	2.07 (0.0815)
D	-	3.00 (0.118)
E	-	3.60 (0.142)
F	3.63 (0.143)	3.80 (0.150)
G	0.00 (0.000)	0.30 (0.012)
H	-	1.20 (0.047)
I	2.80 (0.110)	3.20 (0.126)
J	2.80 (0.110)	3.20 (0.126)
K	0.15 (0.006)	-
L	4.15 (0.163)	-
M	-	3.40 (0.134)

JACK

Letter	Millimeters	
	Minimum	Maximum
A	1.80 (0.079)	1.98 (0.078)
B	-	3.00 (0.118)
C	3.42 (0.135)	3.48 (0.137)
D	3.80 (0.150)	-
E	0.75 (0.029)	0.85 (0.033)
F	2.30 (0.090)	2.80 (0.110)
G	2.60 (0.102)	2.80 (0.110)
H	4.00 (0.157)	4.12 (0.162)
I	3.60 (0.142)	3.80 (0.150)
J	18°	22°