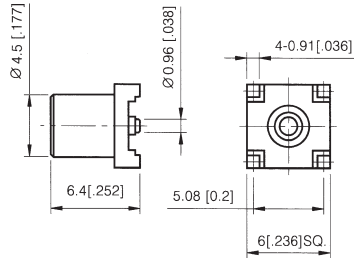
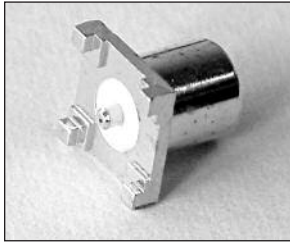
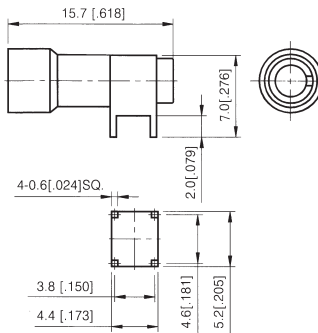
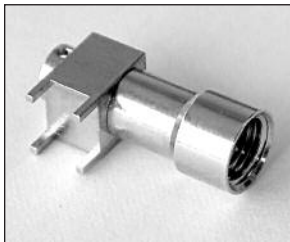


MCX Series

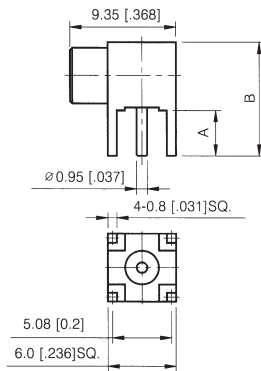
PRINTED CIRCUIT BOARD



**STRAIGHT JACK FOR
PRINTED CIRCUIT BOARD**
PART NUMBER 701961-100MCX

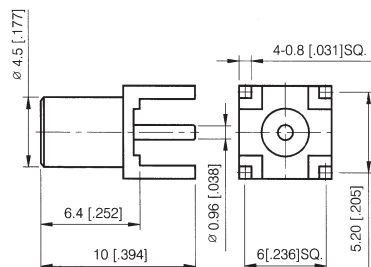


**RIGHT ANGLE JACK FOR
PRINTED CIRCUIT BOARD**
PART NUMBER 701962-100MCX



**RIGHT ANGLE JACK FOR
PRINTED CIRCUIT BOARD**

PART NUMBER	DIM. A	DIM. B
701963-100MCX	4 [0.158]	10 [0.394]
701963-101MCX	2 [0.079]	8 [0.315]



**STRAIGHT JACK FOR
PRINTED CIRCUIT BOARD**
PART NUMBER 701964-100MCX