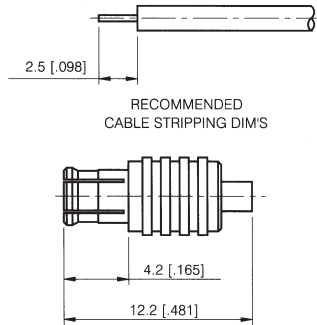


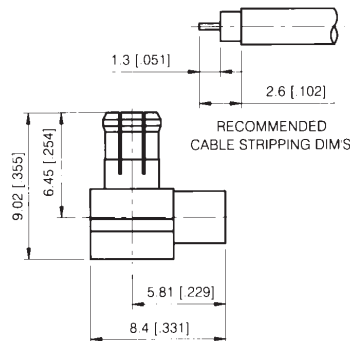
MCX Series

DIRECT SOLDER FOR SEMI-RIGID CABLE



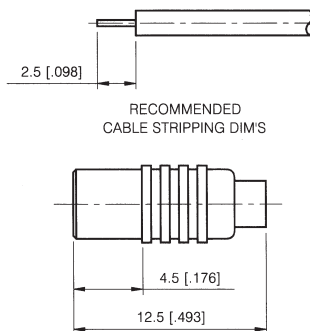
STRAIGHT SOLDER TYPE PLUG

PART NUMBER	CABLE
701943-141MCX	.141 DIA. S/R
701943-086MCX	.086 DIA. S/R
701943-047MCX	.047 DIA. S/R



RIGHT ANGLE SOLDER TYPE PLUG

PART NUMBER	CABLE
701944-141MCX	.141 DIA. S/R
701944-086MCX	.086 DIA. S/R
701944-047MCX	.047 DIA. S/R



STRAIGHT SOLDER TYPE JACK

PART NUMBER	CABLE
701952-086MCX	.086 DIA. S/R
701952-047MCX	.047 DIA. S/R