

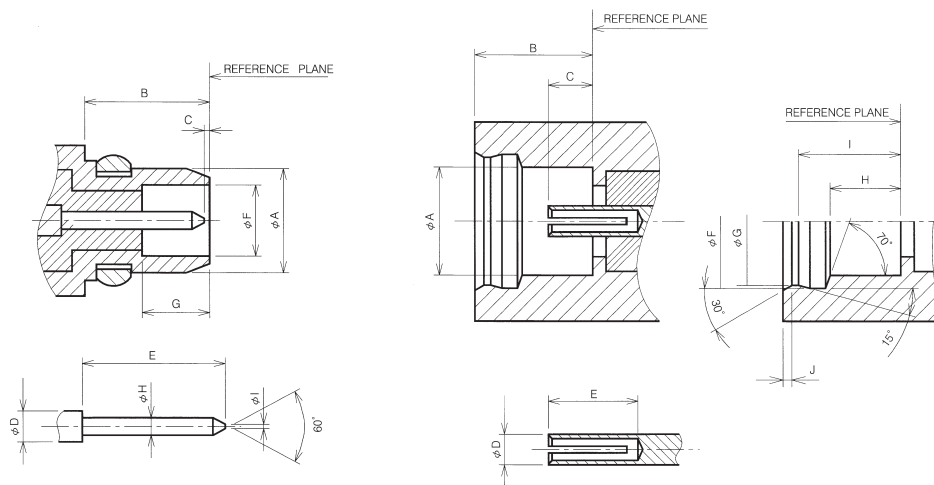
MMCX Series

MMCX: Specification

MMCX micro-miniature connectors are designed with a 50 ohm characteristic impedance. The working frequency is up to 6 GHz. The reliable snap-on mating design offers “low RF-leakage”. Also, the small dimensions allow you to use the connectors where space requirements are critical.

The major application for MMCX series connectors are PCMCIA cards & other small hand-held communication devices.

Interface Mating Dimensions:



PLUG

Letter	Millimeters	
	Minimum	Maximum
A	-	2.40(.094)
B	2.70(.106)	-
C	0.00(.000)	0.25(.010)
D	0.70(.028)nom	
E	-	3.15(.124)
F	1.58(.062)	1.62(.064)
G	1.45(.057)	-
H	0.38(.015)	0.42(.017)
I	-	0.20(.008)

JACK

Letter	Millimeters	
	Minimum	Maximum
A	2.41(.095)	-
B	2.60(.102)	-
C	0.90(.035)	1.20(.047)
D	0.70(.028)nom	
E	1.40(.055)	-
F	3.00(.118)	3.04(.120)
G	2.88(.113)	2.90(.114)
H	1.57(.062)	1.63(.064)
I	2.30(.091)	2.34(.092)
J	-	0.23(.009)