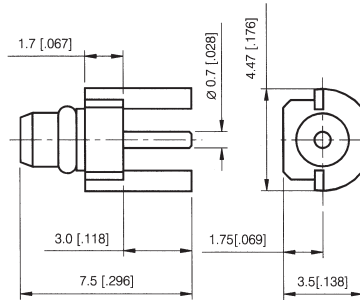
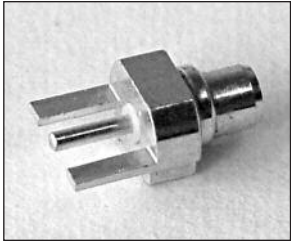
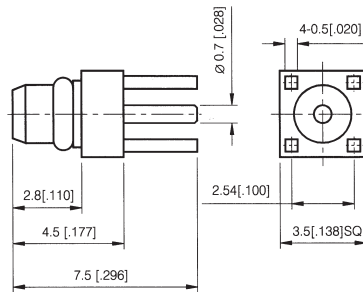
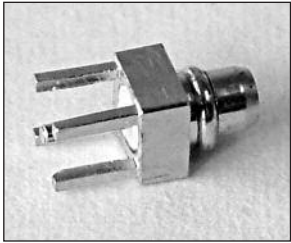


MMCX Series

PRINTED CIRCUIT BOARD



**EDGE CARD VERTICAL MOUNT PLUG
FOR P.C. BOARD**
PART NUMBER 704006-100



STRAIGHT PLUG FOR P.C. BOARD
PART NUMBER 704007-100