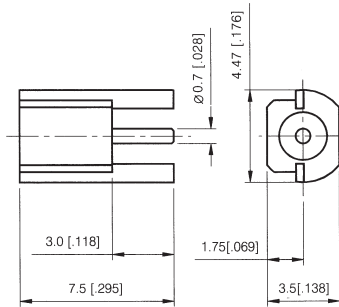
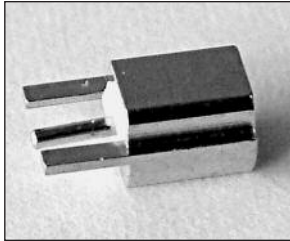
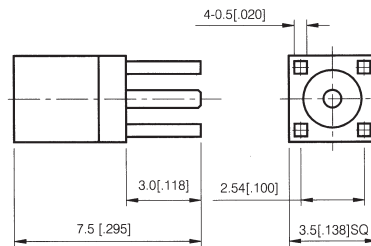
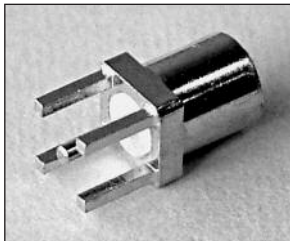


MMCX Series

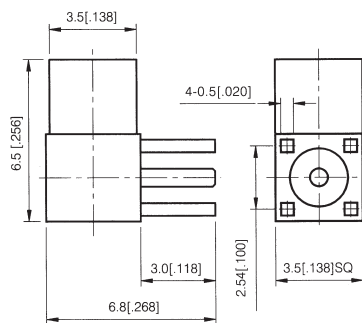
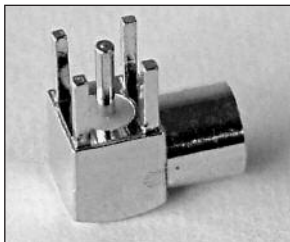
PRINTED CIRCUIT BOARD



**EDGE CARD VERTICAL MOUNT JACK
FOR P.C. BOARD**
PART NUMBER 704008-100



STRAIGHT JACK FOR P.C. BOARD
PART NUMBER 704009-100



RIGHT ANGLE JACK FOR P.C. BOARD
PART NUMBER 704010-100