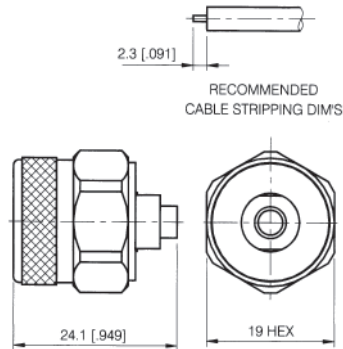


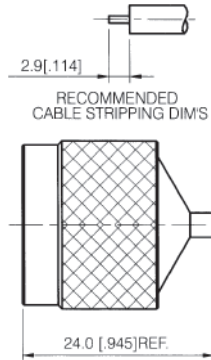
# N Series

## DIRECT SOLDER FOR SEMI-RIGID CABLE



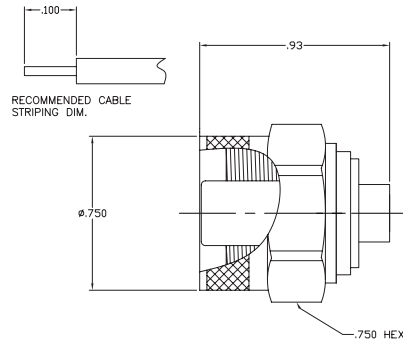
### STRAIGHT CABLE PLUG

PART NUMBER	CABLE
705930-103N	.141 DIA. S/R
705931-103N	.086 DIA. S/R



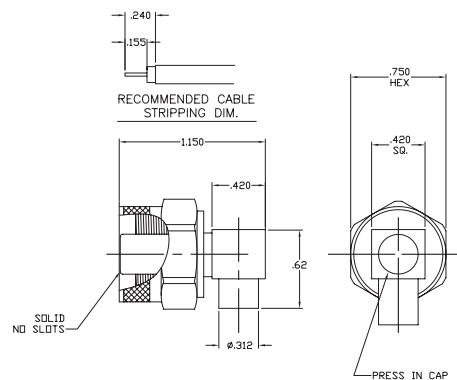
### STRAIGHT CABLE PLUG

PART NUMBER	CABLE
705930-102N	.141 DIA. S/R
705931-101N	.086 DIA. S/R
705936-101N	.250 DIA. S/R



### STRAIGHT CABLE PLUG

PART NUMBER	CABLE
701633-251N	.250 DIA S/R



### RIGHT ANGLE CABLE PLUG

PART NUMBER	CABLE
701971-251N	.250 DIA S/R