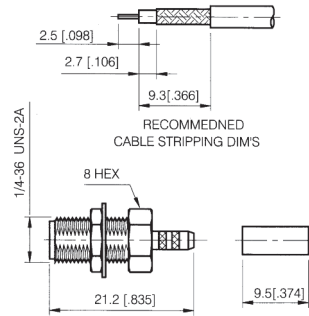
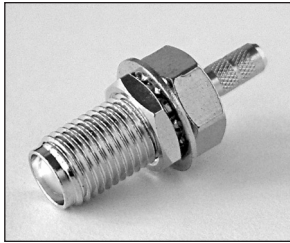


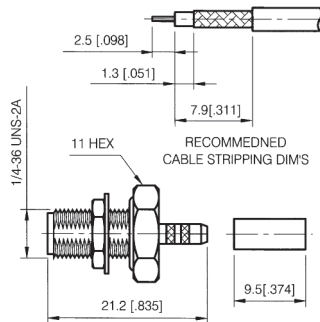
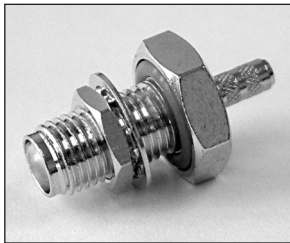
# SMA Series

## CRIMP ATTACHMENTS FOR FLEXIBLE CABLE



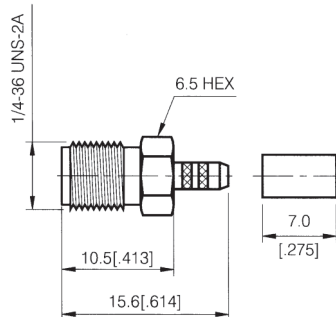
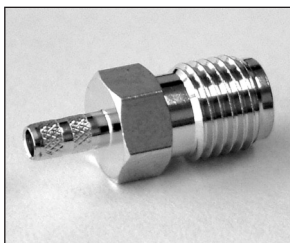
### BULKHEAD CRIMP JACK

| PART NUMBER   | CABLE                    |
|---------------|--------------------------|
| 705566-101SMA | RG-316, RG-188           |
| 705566-102SMA | RG-316 (DOUBLE SHIELDED) |
| 705569-101SMA | RG-178, RG196            |



### BULKHEAD CRIMP JACK WITH O-RING

| PART NUMBER   | CABLE                    |
|---------------|--------------------------|
| 705566-001SMA | RG-316, RG-188           |
| 705566-002SMA | RG-316 (DOUBLE SHIELDED) |
| 705569-001SMA | RG-178, RG196            |



### STRAIGHT CRIMP JACK

| PART NUMBER   | CABLE                    |
|---------------|--------------------------|
| 705561-001SMA | RG-316, RG-188           |
| 705561-002SMA | RG-316 (DOUBLE SHIELDED) |
| 705564-001SMA | RG-178, RG196            |