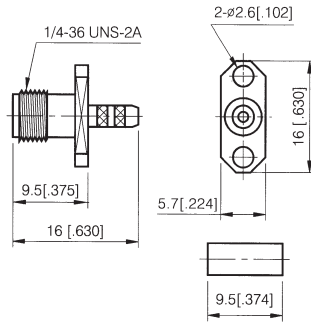
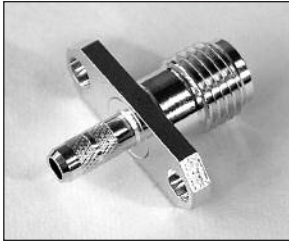


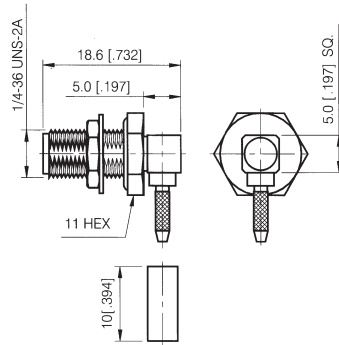
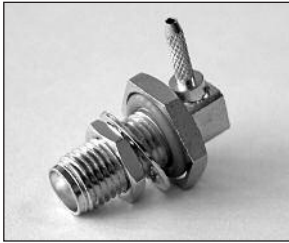
SMA Series

CRIMP ATTACHMENTS FOR FLEXIBLE CABLE



PANEL MOUNT JACK RECEPTACLES-2 HOLE SQUARE FLANGE

PART NUMBER	CABLE
705592-001SMA	RG-316, RG-188
705593-001SMA	RG-196, RG-178



RIGHT ANGLE BULKHEAD CRIMP JACK WITH O-RING SEAL

PART NUMBER	CABLE
705576-001SMA	RG-316, RG-188
705576-002SMA	RG-316 (DOUBLE SHIELDED)
705579-001SMA	RG-196, RG-178