

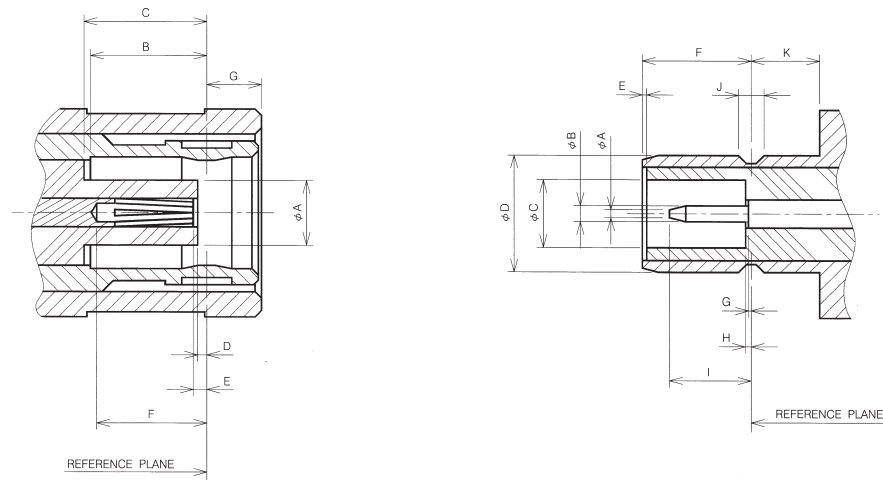
SMB Series

Specification SMB 50 ohm 0-4 GHz

SMB connectors are semi-precision, subminiature devices that provide repeatable electrical performance to 4GHz. The SMB family of connectors provides a means of quick-connect and disconnect through a snap-on type coupling. Its smaller physical size and snap-on coupling make the SMB an ideal general purpose connector where packaging density, ease of mating/unmating and economy are prerequisites. Crimp, clamp and receptacle types are available in right angle, printed circuit board and straight body style.

Typical application for SMB connectors are telecommunications, test equipment, instrumentation and GPS.

Interface Mating Dimensions:



PLUG

Letter	Millimeters(Inches)	
	Minimum	Maximum
A	2.01(.079)	2.06(.081)
B	3.58(.141)	3.78(.149)
C	3.58(.141)	-
D	0.27(.0105)	0.52(.0205)
E	0.29(.0115)	0.57(.0225)
F	2.97(.117)	-
G	-	1.63(.064)

JACK

Letter	Millimeters(Inches)	
	Minimum	Maximum
A	-	0.25(.010)
B	0.48(.019)	0.53(.021)
C	2.08(.082)	2.16(.085)
D	3.66(.144)	3.71(.146)
E	0.04(.0015)	0.24(.0095)
F	3.33(.131)	3.53(.139)
G	0.04(.0015)	0.18(.007)
H	-	0.18(.007)
I	2.39(.094)	2.72(.107)
J	0.69(.027)	0.94(.037)
	1.65(.065)	-