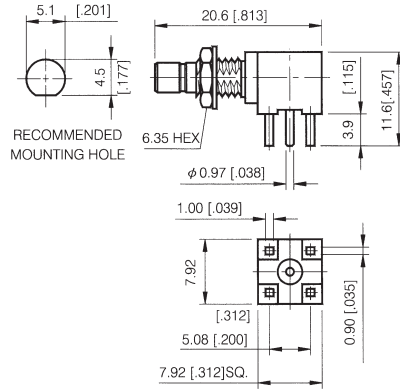
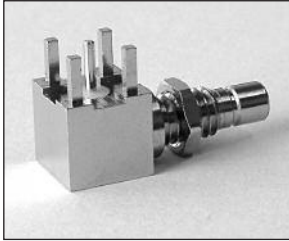
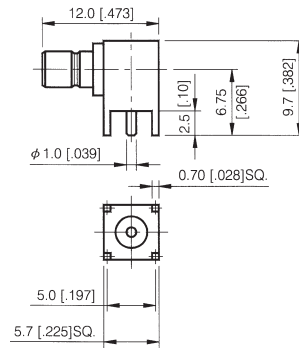
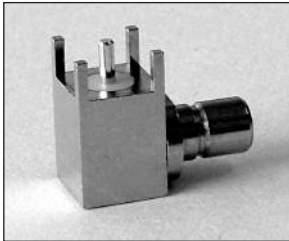


SMB Series

PRINTED CIRCUIT BOARD



**RIGHT ANGLE BULKHEAD JACK
FOR PRINTED CIRCUIT BOARD
PART NUMBER 700216SMB**



**RIGHT ANGLE JACK FOR PRINTED
CIRCUIT BOARD
PART NUMBER 700214SMB**