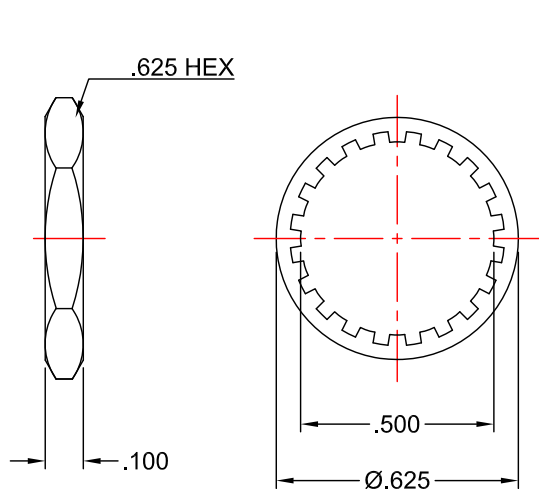


**RoHS
COMPLIANT**



NOTES:

INTERFACE CONFORMS TO MIL-PRF-39012 AND MIL-STD-348 BNC SERIES

ELECTRICAL:

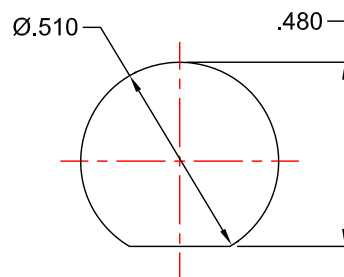
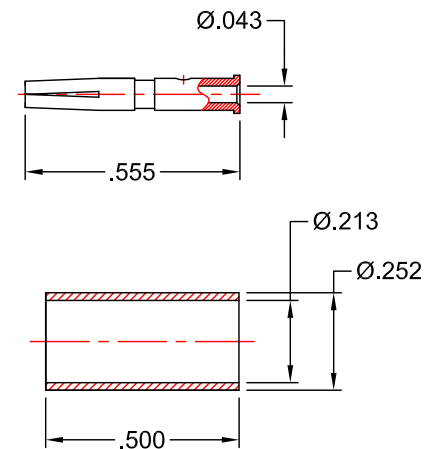
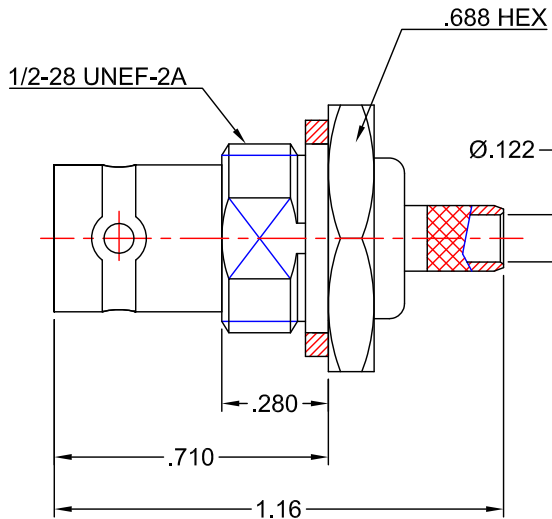
NOMINAL IMPEDANCE: 50Ω
FREQUENCY RANGE: DC TO 4 GHz

MATERIALS:

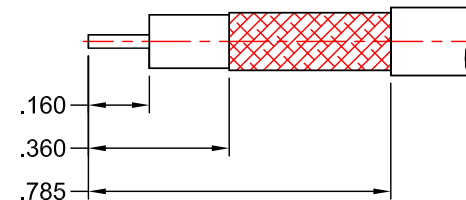
INSULATOR: TEFLON PER ASTM-D-1710
CONTACT: PHOSPHOR BRONZE PER ASTM-B-139
BODY, JAM-NUT, & WASHER: 360 ALLOY BRASS 1/2 HARD PER ASTM-B-16
GASKET: SILICONE RUBBER PER ZZ-R-765
CRIMP SLEEVE: 360 ALLOY BRASS PER ASTM-B-16

FINISHES:

CONTACT: GOLD PLATE PER MIL-DTL-45204
BODY, JAM-NUT, WASHER, & CRIMP SLEEVE: NICKEL PLATE PER QQ-N-290



RECOMMENDED MOUNTING HOLE

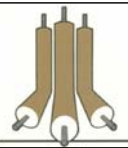


RECOMMENDED STRIPPING DIMENSIONS

PROPRIETARY NOTICE
THIS DRAWING AND DESIGNS AND IDEAS EMBEDDED IN THE DEVICE TO WHICH IT RELATES AND THE METHOD OF PRODUCING THE DEVICE SHALL NOT BE EMPLOYED COPIED OR DISCLOSED TO ANYONE IN ANY MANNER WITHOUT THE WRITTEN CONSENT OF AN EZ FORM COMPANY OFFICIAL

| | | |
|-------------|-----------------|--|
| APPD. DATE | T.D. DATE | |
| BY DATE | J.N. DATE | |
| DESCRIPTION | INITIAL RELEASE | |
| REV. | - | |

| | | | |
|------------------------------------|--------|--------------|--------|
| UNLESS OTHERWISE SPECIFIED: | | | |
| DIMENSIONS ARE IN INCHES: | | SCALE 2:1 | |
| TOLERANCES: NONE | | | |
| MATERIAL SEE NOTES | | | |
| FINISH SEE NOTES | | | |
| DRAWN | DATE | CHECKED | DATE |
| J.N. | 4/6/17 | T.D. | 4/6/17 |
| APPROVED | DATE | SHEET 1 OF 1 | |
| A.T. | 4/6/17 | | |



EZ Form Cable Corporation
285 Welton Street
Hamden, CT 06517
WWW.ezform.com

TITLE
BNC BULKHEAD JACK, REARMOUNT FOR RG-58 CABLE

| | | | |
|----------|-------------|---------------|-----------|
| A | CODE IDENT. | 701630-001BNC | REV. - |
| | 9W826 | | |