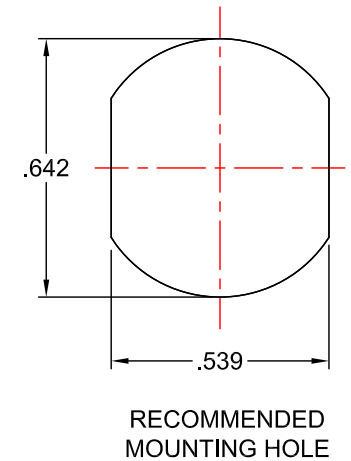
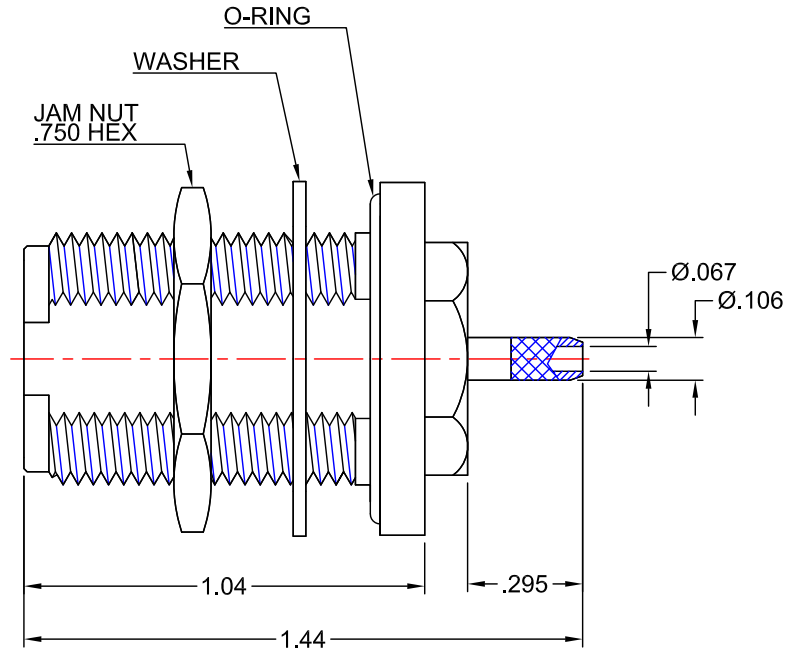


RoHS
COMPLIANT



NOTES:

INTERFACE CONFORMS TO MIL-PRF-39012 AND MIL-STD-348 "N" SERIES

ELECTRICAL:

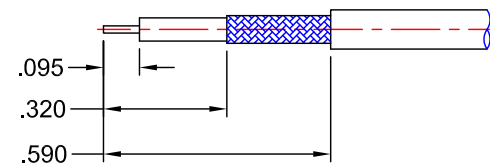
NOMINAL IMPEDANCE: 50Ω
FREQUENCY RANGE: DC TO 11 GHz

MATERIALS:

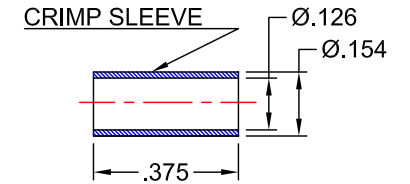
INSULATOR: TEFLON PER ASTM-D-1710
CONTACTS: BRASS PER ASTM-B-16, PHOSPHOR BRONZE PER ASTM-B-103
BODY, JAM-NUT, WASHER: 360 ALLOY BRASS 1/2 HARD PER ASTM-B-16
O'RING: SILCONE RUBBER PER ZZ-R-765

FINISHES:

CONTACTS: GOLD PLATE PER MIL-DTL-45204
BODY, CRIMP SLEEVE, JAM-NUT, WASHER: NICKEL PLATE PER QQ-N-290



RECOMMENDED STRIPPING DIMENSIONS



PROPRIETARY NOTICE
 THIS DRAWING AND DESIGNS AND IDEAS EMBEDDED IN THE DEVICE TO WHICH IT RELATES AND THE METHOD OF PRODUCING THE DEVICE SHALL NOT BE EMPLOYED COPIED OR DISCLOSED TO ANYONE IN ANY MANNER WITHOUT THE WRITTEN CONSENT OF AN EZ FORM COMPANY OFFICIAL

APPD. DATE	T.D. DATE	
BY	J.N.	
DATE	3/22/17	
DESCRIPTION	INITIAL RELEASE	
REV.	-	

UNLESS OTHERWISE SPECIFIED:			
DIMENSIONS ARE IN INCHES:		SCALE	
TOLERANCES: NONE		2:1	
MATERIAL		SEE NOTES	
FINISH		SEE NOTES	
DRAWN	DATE	CHECKED	DATE
J.N.	3/22/17	T.D.	3/22/17
APPROVED	DATE	SHEET 1 OF 1	
A.T.	3/22/17		

EZ Form Cable Corporation
285 Welton Street
Hamden, CT 06517
WWW.ezform.com

TYPE "N" BULKHEAD JACK FOR RG-316 CABLE

A	CODE IDENT.	701371-101N	REV.
	9W826		-