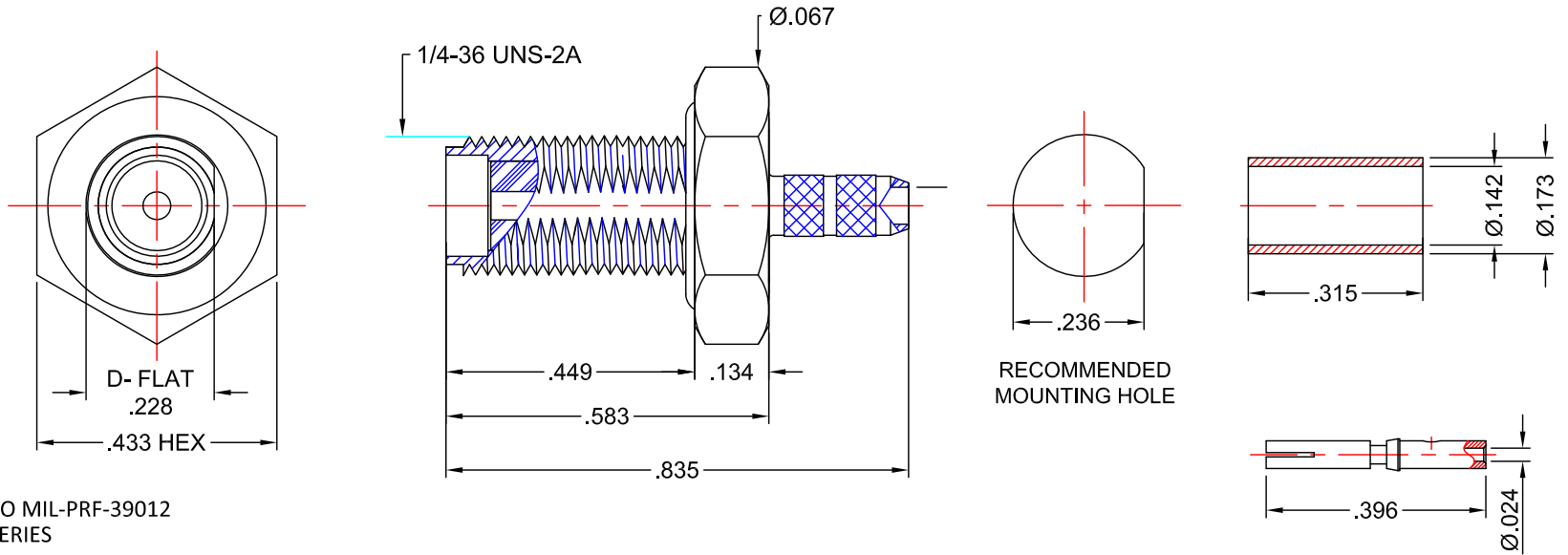


RoHS
COMPLIANT



NOTES:
INTERFACE CONFORMS TO MIL-PRF-39012
AND MIL-STD-348 SMA SERIES

ELECTRICAL:

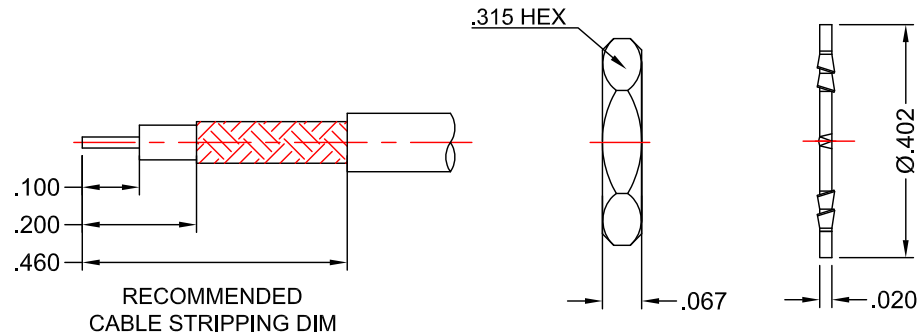
NOMINAL IMPEDANCE: 50Ω
FREQUENCY RANGE: DC TO 12 GHz

MATERIALS:

INSULATOR: TEFLON PER ASTM-D-1710
CONTACT: BERYLLIUM COPPER PER ASTM-B-196
BODY, JAM-NUT, & WASHER: 360 ALLOY BRASS 1/2 HARD PER ASTM-B-16
CRIMP SLEEVE: 360 ALLOY BRASS PER ASTM-B-16
O'RING: SILICONE RUBBER PER ZZ-R-765

FINISHES:

CONTACT: GOLD PLATE PER MIL-DTL-45204
BODY, JAM-NUT, WASHER, & CRIMP SLEEVE: GOLD PLATE PER MIL-DTL-45204



PROPRIETARY NOTICE
 THIS DRAWING AND DESIGNS AND IDEAS EMBEDDED
 IN THE DEVICE TO WHICH IT RELATES AND THE
 METHOD OF PRODUCING THE DEVICE SHALL NOT BE
 EMPLOYED COPIED OR DISCLOSED TO ANYONE IN ANY
 MANNER WITHOUT THE WRITTEN CONSENT OF AN
 EZ FORM COMPANY OFFICIAL

APPD.	T.D.
DATE 4/18/17	4/18/17
BY J.N.	
DATE 4/18/17	
DESCRIPTION	INITIAL RELEASE
REV.	-

UNLESS OTHERWISE SPECIFIED:			
DIMENSIONS ARE IN INCHES:		SCALE	
TOLERANCES: NONE		3:1	
MATERIAL: SEE NOTES			
FINISH: SEE NOTES			
DRAWN	DATE	CHECKED	DATE
J.N.	4/18/17	T.D.	4/18/17
APPROVED	DATE	SHEET 1 OF 1	
A.T.	4/18/17		

EZ Form Cable Corporation

285 Welton Street
Hamden, CT 06517
WWW.ezform.com

**SMA BULKHEAD JACK
WITH O-RING
CRIMP, RG-316DS**

A	CODE IDENT.	705566-002SMA	REV.
	9W826		-