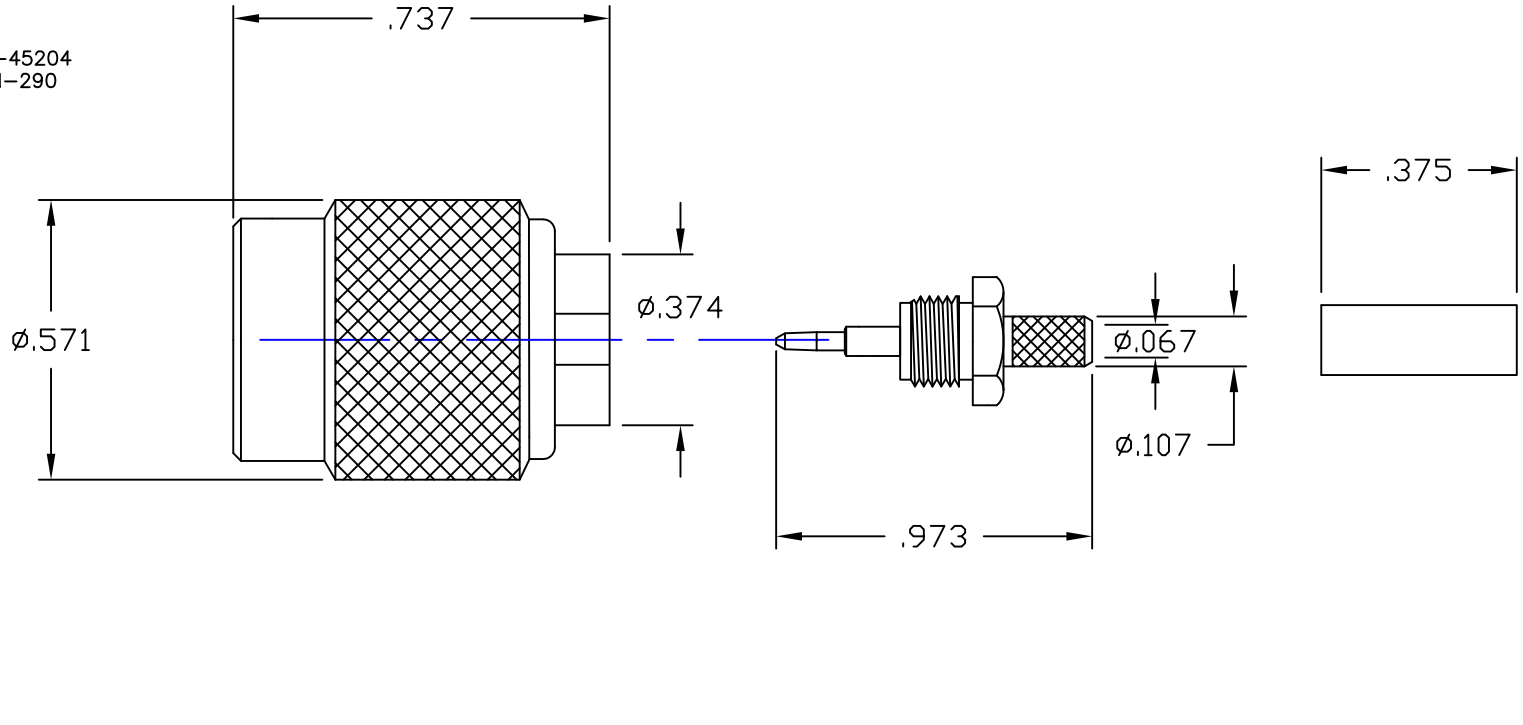


NOTES:
INTERFACE CONFORMS TO MIL-PRF-39012 TNC SERIES

MATERIALS:
CONTACT, BODY, COUPLING NUT BRASS PER ASTM-B-16
SNAP RING-- BERYLLIUM COPPER PER ASTM-B-196
GASKET-- SILICONE PER ZZ-R-765
INSULATOR-- TEFLON PER ASTM-D-1710
CRIMP SLEEVE-- ANNEALED COPPER

FINISHES:
CONTACT-- GOLD PLATE PER MIL-G-45204
COUPLING NUT-- NICKEL PLATE PER QQ-N-290
BODY
CRIMP SLEEVE



RECOMMENDED
CABLE STRIPPING DIM'S

ORDER AS 701039TNC

THIS DRAWING THE DESIGN AND IDEAS EMBEDDED IN THE DEVICE TO WHICH IT RELATES AND THE METHOD OF PRODUCING THE DEVICE SHALL NOT BE EMPLOYED COPIED OR DISCLOSED TO ANYONE IN ANY MANNER WITHOUT THE CONSENT OF AN EZ FORM COMPANY OFFICIAL

APPD		
BY		
DATE		
DESCRIPTION		
REV.		

UNLESS OTHERWISE SPECIFIED:			
DIMENSIONS ARE IN INCHES:		SCALE	
TOLERANCES:			
DECIMALS:	FRACTIONS: $\pm 1/64$		
2-PLACE $\pm .020$	ANGLES: $\pm 3^\circ$		
3-PLACE $\pm .015$	MATERIAL: _____		
FINISH: _____			
DRAWN	DATE	CHECKED	DATE
P.J.P.	5-13-10	J.A.B.	5-13-10
APPROVED	DATE	SHEET	OF
A.T.	5-13-10	1	1

EZ FORM CABLE CORPORATION HAMDEN, CT 06517			
TITLE TNC STRAIGHT PLUG CRIMP FOR RG316 CABLE			
A	CODE IDENT. 9W826	CD-701039	REV. —