

INTERFACE CONFORMS TO MIL-PRF-39012 MMCX SERIES

NOTES:

MATERIALS:

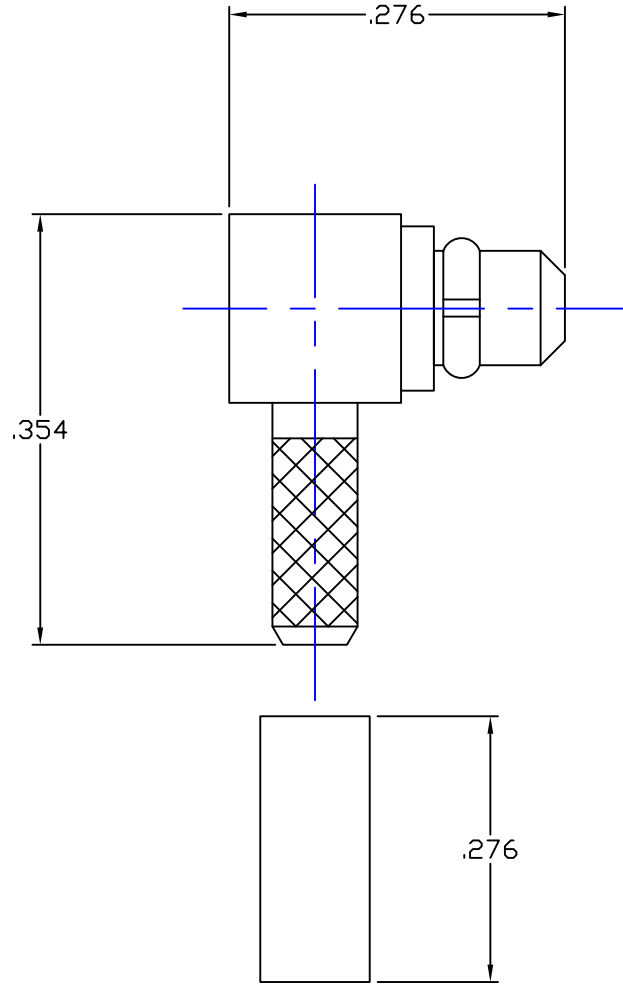
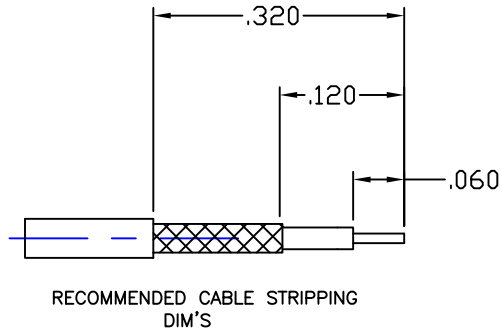
1. BODIES & CONTACT
2. INSULATOR
3. CRIMP FERRULE

BRASS PER ASTM-B-16  
TEFLON PER ASTM-D-1710  
ANNEALED COPPER

FINISHES:

1. ALL METAL PARTS

GOLD PLATE PER MIL-G-45204



THIS DRAWING THE DESIGNS AND IDEAS EMBODIED IN THE DEVICE TO WHICH IT RELATES AND THE METHOD OF PRODUCING THE DEVICE SHALL NOT BE EMPLOYED COPIED OR DISCLOSED TO ANYONE IN ANY MANNER WITHOUT THE CONSENT OF ANVEZ FORM COMPANY OFFICIAL

APPD		
BY		
DATE		
DESCRIPTION		
REV.		

<b>UNLESS OTHERWISE SPECIFIED:</b>			
DIMENSIONS ARE IN INCHES:		SCALE	
TOLERANCES:		—	
DECIMALS:	FRACTIONS: ± 1/64		
2-PLACE ± .020			
3-PLACE ± .015	ANGLES: ± 3°		
MATERIAL: _____			
FINISH: _____			
DRAWN	DATE	CHECKED	DATE
P.J.P.	9-27-05	J.A.B.	9-27-05
APPROVED	DATE	SHEET	OF
A.T.	9-27-05		

<b>EZ FORM</b>			
CABLE CORPORATION			
HAMDEN, CT 06517			
TITLE			
MMCX RIGHT ANGLE PLUG CRIMP FOR RG178 FLEX CABLE			
<b>A</b>	CODE IDENT.		REV.
	9W826	CD-704001-178	—