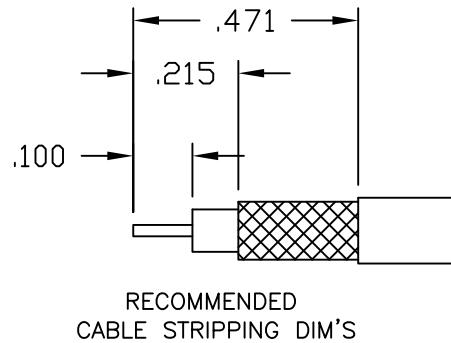
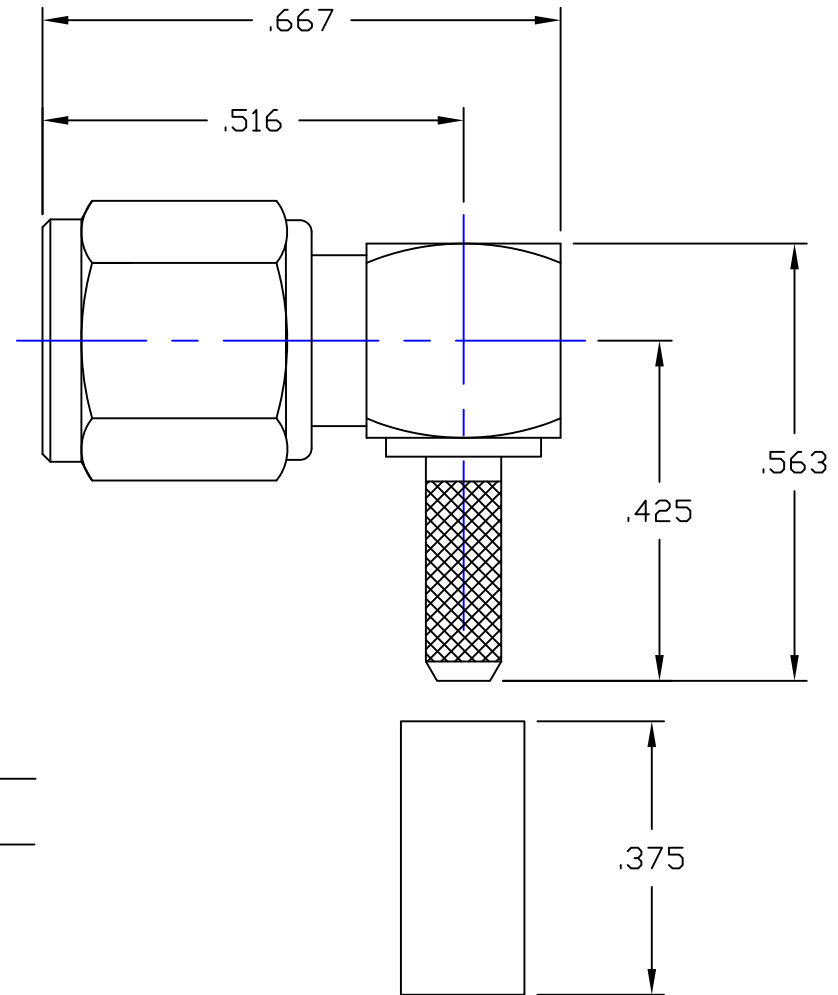


NOTES:
INTERFACE CONFORMS TO MIL-PRF-39012 SMA SERIES

MATERIALS:
 BODY, COUPLING NUT—BRASS PER ASTM-B-16
 CONTACT
 SNAP RING— BERYLLIUM COPPER PER ASTM-B-196
 GASKET— SILICONE PER ZZ-R-765
 INSULATOR— TEFLON PER ASTM-D-1710
 CRIMP SLEEVE— ANNEALED COPPER

FINISHES:
 CONTACT— GOLD PLATE PER MIL-G-45204
 COUPLING NUT—
 BODY
 CRIMP SLEEVE— NICKEL PLATE PER QQ-N-290



ORDERING P/N 705556-001SMA

THIS DRAWING THE DESIGNS AND IDEAS EMBEDDED IN THE DEVICE TO WHICH IT RELATES AND THE METHOD OF PRODUCING THE DEVICE SHALL NOT BE EMPLOYED COPIED OR DISCLOSED TO ANYONE IN ANY MANNER WITHOUT THE CONSENT OF AN EZ FORM COMPANY OFFICIAL

APPD		
BY		
DATE		
DESCRIPTION		
REV.		

UNLESS OTHERWISE SPECIFIED:

DIMENSIONS ARE IN INCHES: TOLERANCES:		SCALE
DECIMALS:	FRACTIONS	± 1/64
2-PLACE ± .010	ANGLES	± 3°
3-PLACE ± .005		
MATERIAL: _____		
FINISH: _____		
DRAWN	DATE	CHECKED
P.J.P.	3-26-03	J.A.B.
		DATE
		3-26-03
APPROVED	DATE	SHEET
T.A.R.	3-26-03	1 OF 1

EZ FORM
CABLE CORPORATION
 HAMDEN, CT 06517

TITLE		
SMA RIGHT ANGLE MALE PLUG FOR RG316 CABLE		
A	CODE IDENT. 9W826	CD-705556-001
		REV. —