

NOTES:

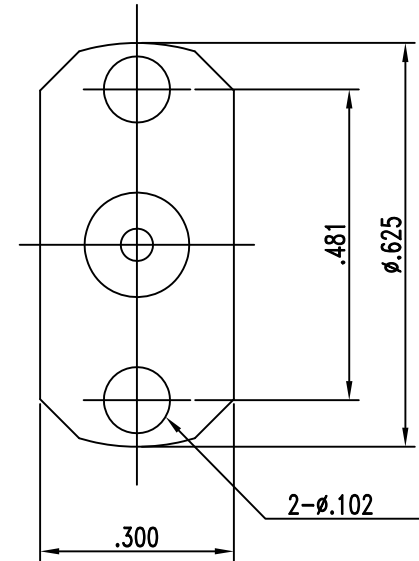
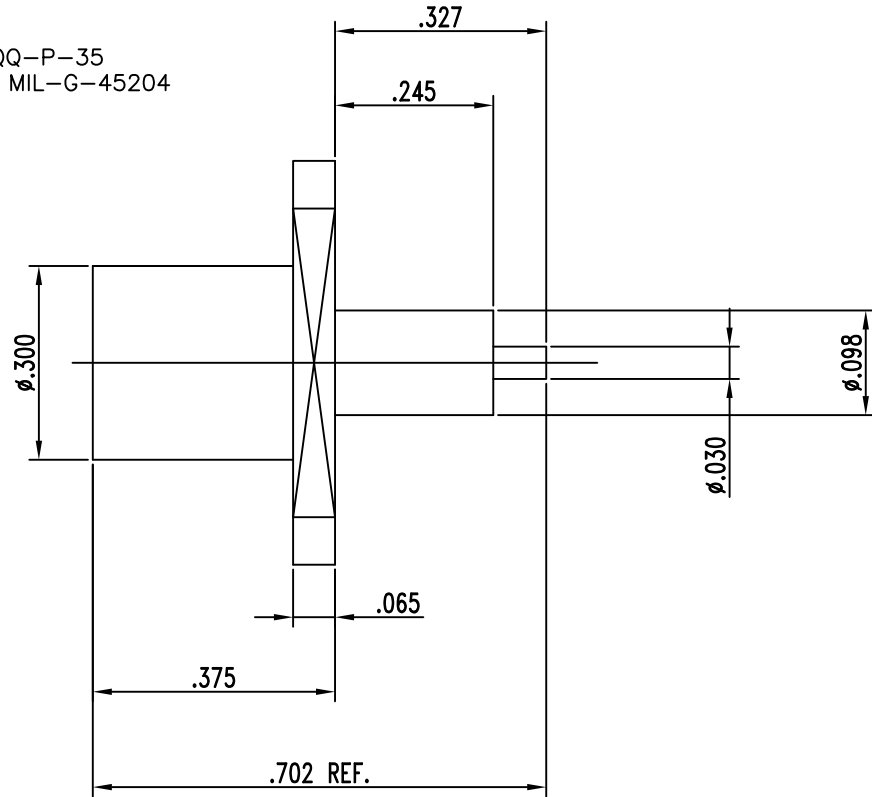
MATERIALS:

BODY STAINLESS STEEL TYPE 303
 PER ASTM-A-582
 INSULATOR TEFLON PER ASTM-D-1710

CONTACT & BERYLLIUM COPPER PER
 SPRING FINGERS ASTM-B-196

FINISH:

BODY PASSIVATE PER QQ-P-35
 CONTACT GOLD PLATE PER MIL-G-45204



PROPRIETARY NOTICE

THIS DRAWING AND DESIGNS AND IDEAS EMBEDDED IN THE DEVICE TO WHICH IT RELATES AND THE METHOD OF PRODUCING THE DEVICE SHALL NOT BE EMPLOYED COPIED OR DISCLOSED TO ANYONE IN ANY MANNER WITHOUT THE WRITTEN CONSENT OF AN EZ FORM COMPANY OFFICIAL

REVISIONS

REV.	DESCRIPTION	APPD DATE	A.T.
A	.030 WAS .050 .098 WAS .162	8-4-09	P.J.P. 8-4-09

UNLESS OTHERWISE SPECIFIED:

DIMENSIONS ARE IN INCHES:
 TOLERANCES:

DECIMALS: 2-PLACE ± .010
 3-PLACE ± .005
 FRACTIONS: ± 1/64
 ANGLES: ± 3°



MATERIAL:		FINISH:	
DRAWN	DATE	CHECKED	DATE
P.J.P.	8-3-09	J.A.B.	8-3-09
APPROVED	DATE	SHEET	OF
A.T.	8-3-09	1	1

EZ FORM
 CABLE CORPORATION
 HAMDEN, CT 06517

TITLE			
BMA JACK STRAIGHT 2-HOLE FLANGE			
A	CODE IDENT.	9W826	CD-701505-001
REV.			A