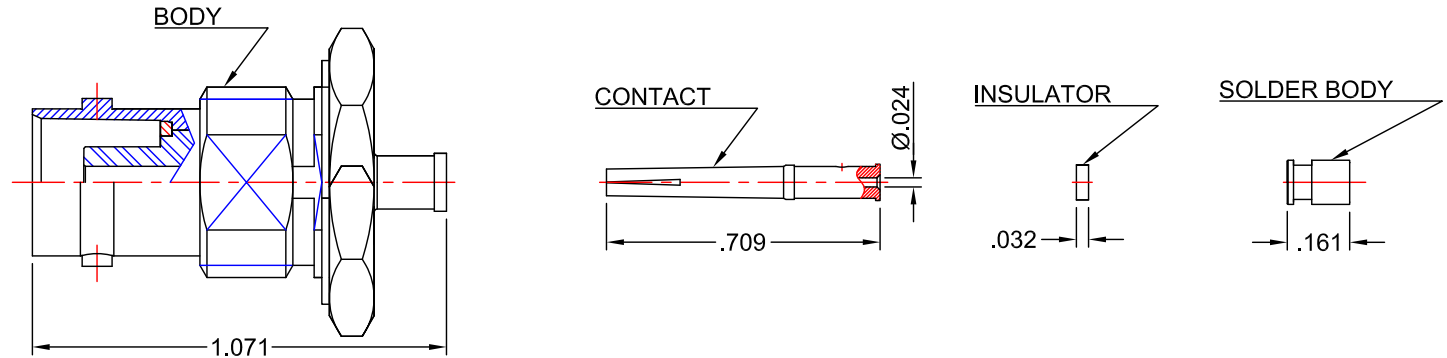


RoHS
COMPLIANT



NOTES:

INTERFACE CONFORMS TO MIL-PRF-39012
AND MIL-STD-348 BNC SERIES

ELECTRICAL:

NOMINAL IMPEDANCE: 50Ω
FREQUENCY RANGE: DC TO 4 GHz

MATERIALS:

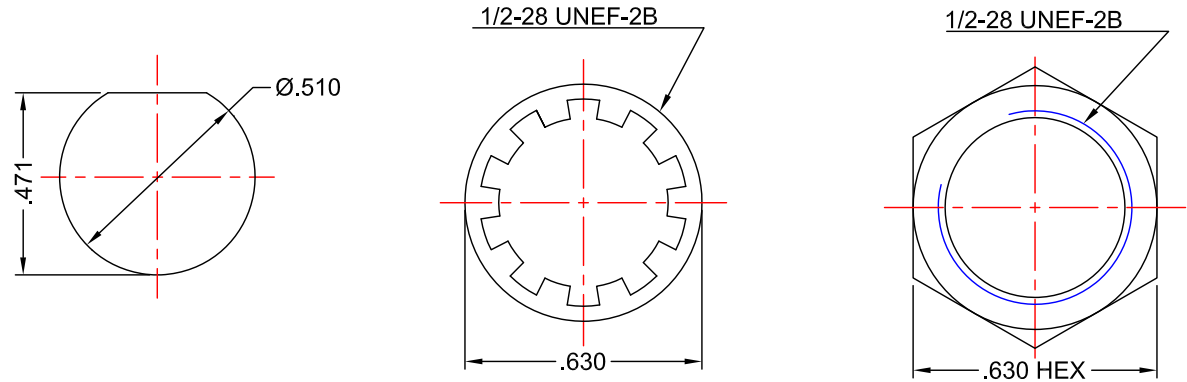
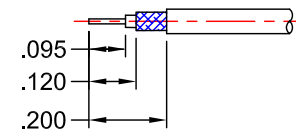
INSULATOR: TEFLON PER ASTM-D-1710
CONTACT: BERYLLIUM COPPER PER ASTM-B-196
BODY, JAM-NUT, WASHER, & CRIMP SLEEVE:
360 ALLOY BRASS 1/2 HARD PER ASTM-B-16
GASKET: SILICONE RUBBER PER ZZ-R-765

FINISHES:

CONTACT & SOLDER BODY: GOLD PLATE PER MIL-DTL-45204
BODY, JAM-NUT, WASHER, CRIMP SLEEVE: NICKEL PLATE PER QQ-N-290



**RECOMMENDED
CABLE STRIPPING DIM'S**



PROPRIETARY NOTICE

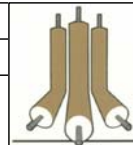
THIS DRAWING AND DESIGNS AND IDEAS EMBEDDED IN THE DEVICE TO WHICH IT RELATES AND THE METHOD OF PRODUCING THE DEVICE SHALL NOT BE EMPLOYED COPIED OR DISCLOSED TO ANYONE IN ANY MANNER WITHOUT THE WRITTEN CONSENT OF AN EZ FORM COMPANY OFFICIAL

APPD.	T.D.	
DATE	3/31/17	
BY	J.N.	
DATE	3/31/17	
DESCRIPTION		
INITIAL RELEASE		
REV.	-	

UNLESS OTHERWISE SPECIFIED:

DIMENSIONS ARE IN INCHES:
TOLERANCES: NONE

SCALE
2:1



**EZ Form Cable
Corporation**
285 Welton Street
Hamden, CT 06517
WWW.ezform.com

MATERIAL	SEE NOTES	
FINISH	SEE NOTES	
DRAWN	DATE	CHECKED
J.N.	3/31/17	T.D.
DATE	3/31/17	DATE
APPROVED	DATE	SHEET 1 OF 1
A.T.	3/31/17	

TITLE BNC BULKHEAD JACK FOR RG-316 SOLDER CRIMP ATTACHMENT			
A	CODE IDENT.	701630-002BNC	REV.
	9W826		-