

INTERFACE CONFORMS TO MIL-PRF-39012 BMA SERIES

NOTES:

MATERIALS:

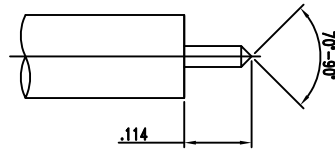
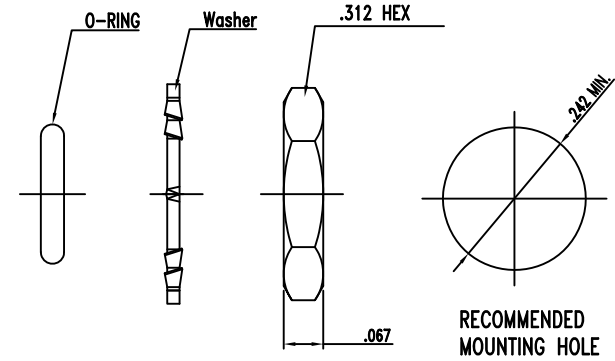
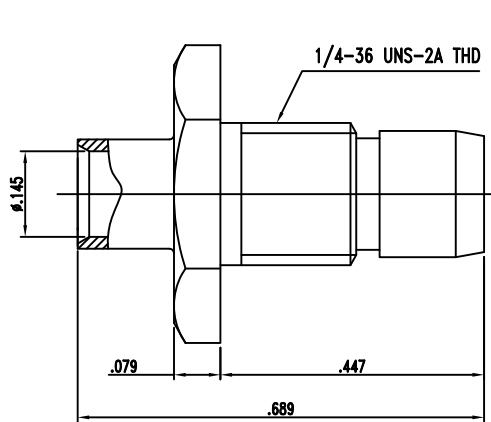
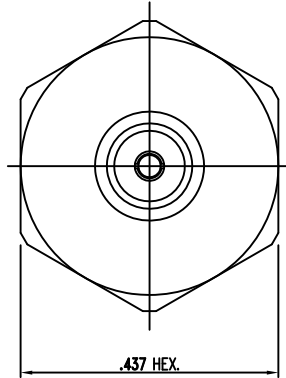
BODY, CONTACT, JAM NUT  
O-RING  
INSULATOR

BRASS 1/2 HD PER ASTM-B-16  
SILICONE PER ZZ-R-765  
TEFLON VIRGIN WHITE PER ASTM-D-1710

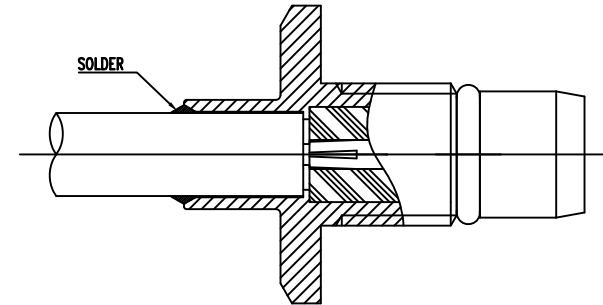
FINISHES:

ALL METAL PARTS

GOLD PLATE PER MIL-G-45204



RECOMMENDED  
CABLE STRIPPING DIMS



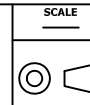
PROPRIETARY NOTICE  
 THIS DRAWING AND DESIGN AND IDEAS EMBODIED  
 IN THE DEVICE TO WHICH IT RELATES AND THE  
 METHOD OF PRODUCING THE DEVICE SHALL NOT BE  
 EMPLOYED COPIED OR DISCLOSED TO ANYONE IN ANY  
 MANNER WITHOUT THE WRITTEN CONSENT OF AN  
 EZ FORM COMPANY OFFICIAL

REVISIONS	
APPD DATE	BY DATE
DESCRIPTION	
REV.	

UNLESS OTHERWISE SPECIFIED:

DIMENSIONS ARE IN INCHES:  
TOLERANCES:

DECIMALS:                      FRACTIONS: ± 1/64  
 2-PLACE ± .010  
 3-PLACE ± .005                      ANGLES: ± 3°



MATERIAL:			
FINISH:			
DRAWN	DATE	CHECKED	DATE
P.J.P.	3-23-10	J.A.B.	3-23-10
APPROVED	DATE	SHEET	OF
A.T.	3-23-10	1	1

**EZ FORM**  
**CABLE CORPORATION**  
 HAMDEN, CT 06517

TITLE  
 BMA BLUKHEAD PLUG  
 FOR USE WITH .141 DIA.  
 SEMI RIGID CABLE

<b>A</b>	CODE IDENT.	REV.
	9W826 CD-701921-141	-