

NOTES: 100% OSP<sup>®</sup> COMPATIBLE. FOR USE WITH RG405/U (.086)

ENGINEERING DATA:

IMPEDANCE: 50 OHMS  
 FREQUENCY: DC TO 22.0 GHZ  
 TEMPERATURE RATING: -65 TO 125 C

ELECTRICAL:

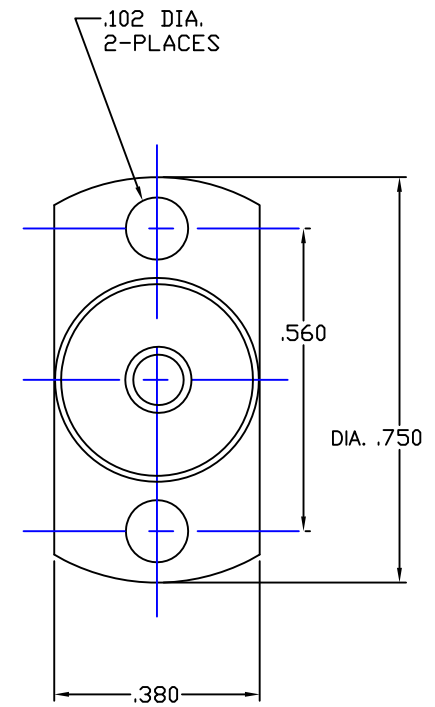
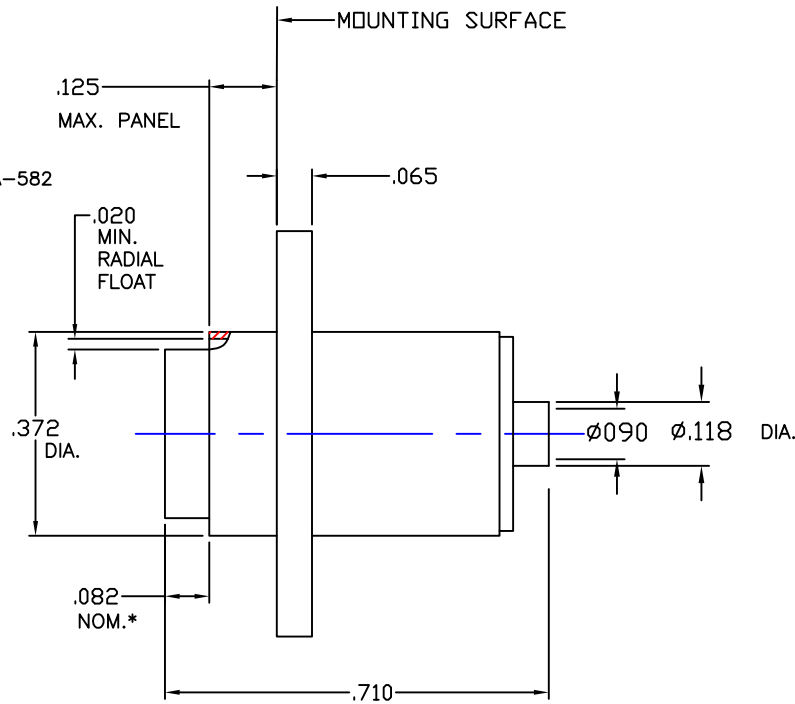
VSWR:  
 DC-18.0 GHZ 1.02 + .005f (GHZ)  
 18.0-22.0 GHZ 1.02 + .008f (GHZ)

MATERIAL:

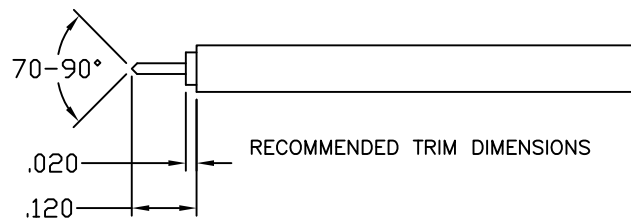
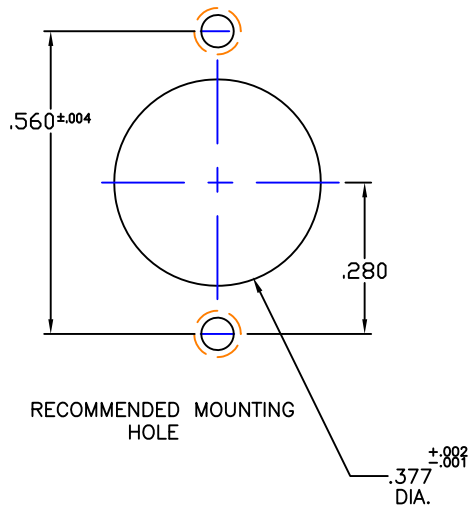
OUTER HOUSING & BODY: STAINLESS STL. TYPE 303 PER ASTM-A-582  
 CENTER CONTACT: BERYLLIUM COPPER PER ASTM-B-196  
 DIELECTRIC: TEFLON PER ASTM-D-1710

FINISHES:

OUTER HOUSING: PASSIVATE PER QQ-P-35  
 CONTACTS & BODY: GOLD PLATED PER MIL-G-45204



\* WILL ALLOW FOR .060 MIN. AXIAL FLOAT



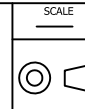
THIS DRAWING THE DESIGNS AND IDEAS EMBODIED IN THE DEVICE TO WHICH IT RELATES AND THE METHOD OF PRODUCING THE DEVICE SHALL NOT BE EMPLOYED COPIED OR DISCLOSED TO ANYONE IN ANY MANNER WITHOUT THE CONSENT OF ANEZ FORM COMPANY OFFICIAL

APPD	A.T. 5-10-10	A.T. 8-25-15
BY	P.J.P.	T.D.
DATE	5-10-10	8-25-15
DESCRIPTION	CHANGED OUTER HOUSING AND BODY FROM BRASS TO 303 STAINLESS STL	ECN#9989 ADDED TRIM DIMENSIONS
REV.	A	B

UNLESS OTHERWISE SPECIFIED:

DIMENSIONS ARE IN INCHES:  
 TOLERANCES:

DECIMALS: 2-PLACE ± .010, 3-PLACE ± .005  
 FRACTIONS: ± 1/64  
 ANGLES: ± 3°



MATERIAL:	_____		
FINISH:	_____		
DRAWN	DATE	CHECKED	DATE
P.J.P.	7-22-09	J.A.B.	7-22-09
APPROVED	DATE	SHEET	OF
A.T.	7-22-09		

**EZ FORM**  
 CABLE CORPORATION  
 HAMDEN, CT. 06517

TITLE			
BMA FLANGE MOUNT CABLE JACK FLOATING REAR MOUNT			
CODE IDENT.			REV.
A	9W826	CD-701947-086	B