

NOTES: 100% OSP[®] COMPATIBLE. FOR USE WITH RG402/U (.141)

ENGINEERING DATA:

IMPEDANCE: 50 OHMS
 FREQUENCY: DC TO 22.0 GHZ
 TEMPERATURE RATING: -65 TO 125 C

ELECTRICAL:

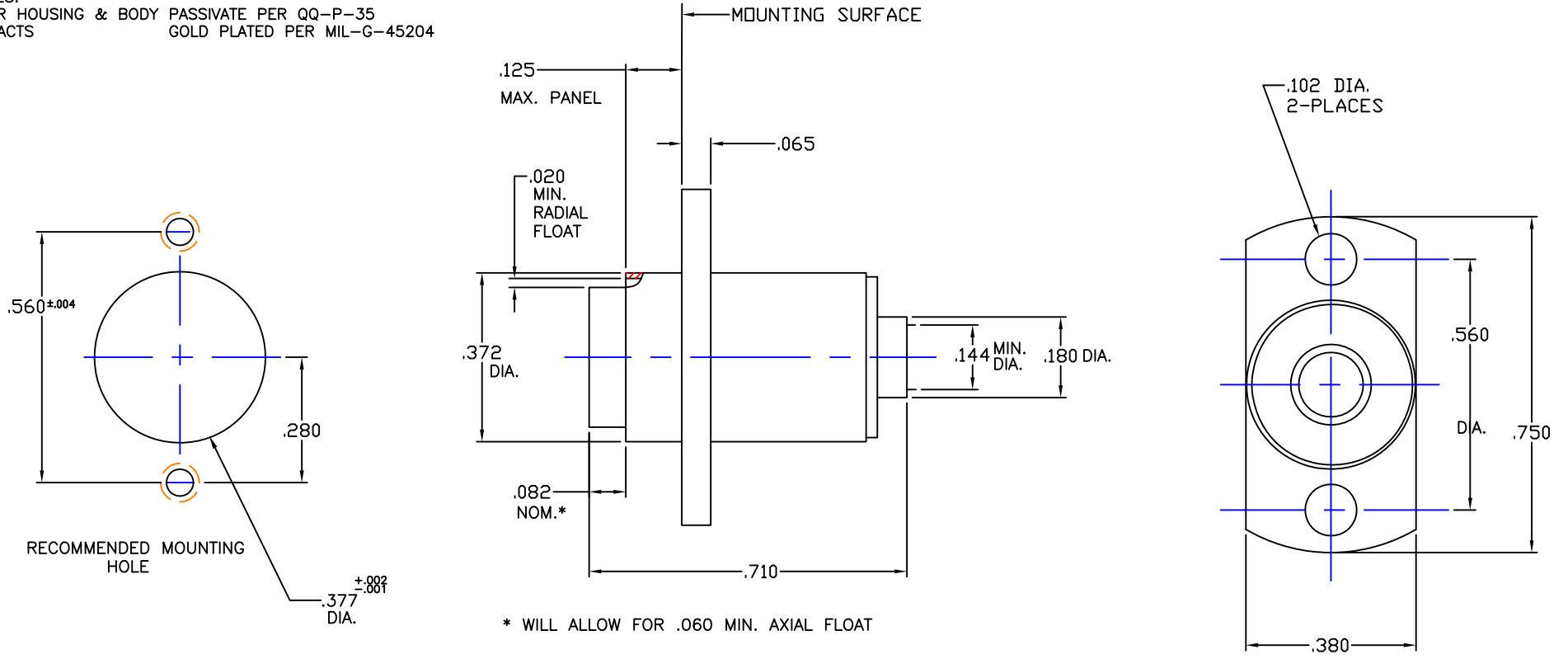
VSWR:
 DC-18.0 GHZ 1.02 + .005f (GHZ)
 18.0-22.0 GHZ 1.02 + .008f (GHZ)

MATERIAL:

OUTER HOUSING & BODY STAINLESS STL TYPE 303 PER ASTM-A-582
 CENTER CONTACT BERYLLIUM COPPER PER ASTM-B-196
 DIELECTRIC TEFLON PER ASTM-D-1710

FINISHES:

OUTER HOUSING & BODY PASSIVATE PER QQ-P-35
 CONTACTS GOLD PLATED PER MIL-G-45204



* WILL ALLOW FOR .060 MIN. AXIAL FLOAT

THIS DRAWING THE DESIGNS AND IDEAS EMBODIED IN THE DEVICE TO WHICH IT RELATES AND THE METHOD OF PRODUCING THE DEVICE SHALL NOT BE EMPLOYED COPIED OR DISCLOSED TO ANYONE IN ANY MANNER WITHOUT THE CONSENT OF ANVEZ FORM COMPANY OFFICIAL

APPD	J.A.B.	A.T.
BY	P.J.P.	P.J.P.
DATE	2-28-02	10-22-10
DESCRIPTION	.372 WAS .377 .102 WAS .115 .377 WAS .382 CHANGE PER ECO 2002-28-7 CHANGED OUTER HOUSING AND BODY FROM BRASS TO 303 STAINLESS STL	
REV.	A	B

UNLESS OTHERWISE SPECIFIED:			
DIMENSIONS ARE IN INCHES:			SCALE
TOLERANCES:			
DECIMALS:	FRACTIONS: ± 1/64		
2-PLACE ± .010	ANGLES: ± 3°		
3-PLACE ± .005	MATERIAL: _____		
FINISH: _____			
DRAWN	DATE	CHECKED	DATE
P.J.P.	11-5-01	J.A.B.	11-5-01
APPROVED	DATE	SHEET	OF
T.A.R.	11-5-01		

EZ FORM CABLE CORPORATION HAMDEN, CT. 06517			
TITLE BMA FLANGE MOUNT CABLE JACK FLOATING REAR MOUNT			
A	CODE IDENT. 9W826	CD-701947-141	REV. B