

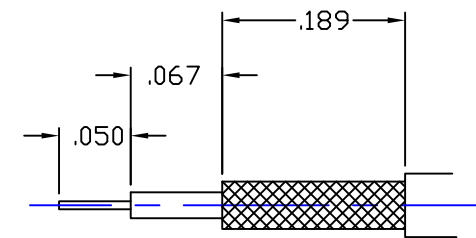
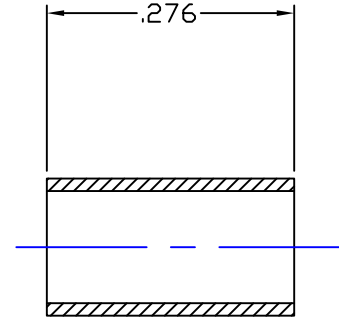
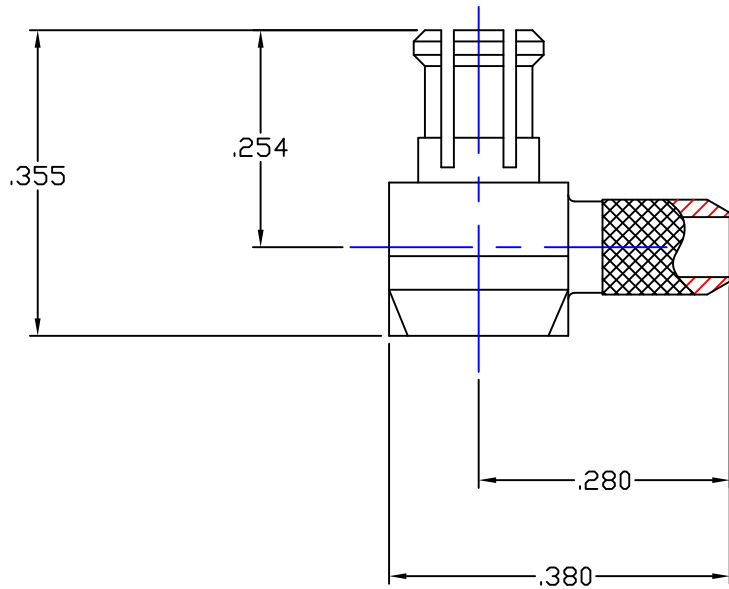
NOTES:
INTERFACE CONFORMS TO MCX CONNECTOR SERIES

MATERIALS:
BODY, CAP & CONTACT BRASS PER ASTM-B-16
CONTACT OUTER BERYLLIUM COPPER PER ASTM-B-196
CRIMP FERRULE COPPER

INSULATORS TEFLON PER ASTM-D-1710

FINISHES:
BODY CAP &
CRIMP FERRULE
CONTACT GOLD PLATE PER MIL-G-45204

701955-316MCX
701955-316DSMCX
701955-179MCX
701955-179DSMCX
701955-178MCX



CABLE STRIPPING DIM.

THIS DRAWING THE DESIGNS AND IDEAS EMBODIED IN THE DEVICE TO WHICH IT RELATES AND THE METHOD OF PRODUCING THE DEVICE SHALL NOT BE EMPLOYED COPIED OR DISCLOSED TO ANYONE IN ANY MANNER WITHOUT THE CONSENT OF ANVEZ FORM COMPANY OFFICIAL

APPD		
BY		
DATE		
DESCRIPTION		
REV.		

UNLESS OTHERWISE SPECIFIED:			
DIMENSIONS ARE IN INCHES:		SCALE	
TOLERANCES:			
DECIMALS:	FRACTIONS: ± 1/64		
2-PLACE ± .020			
3-PLACE ± .015	ANGLES: ± 3°		
MATERIAL: _____			
FINISH: _____			
DRAWN	DATE	CHECKED	DATE
P.J.P.	3-18-03	J.A.B.	3-18-03
APPROVED	DATE	SHEET	OF
T.A.R.	3-18-03		

EZ FORM			
CABLE CORPORATION			
HAMDEN, CT. 06517			
TITLE			
MCX R/A PLUG FOR FLEXIBLE CABLE CRIMP TYPE			
A	CODE IDENT.		REV.
	9W826	CD-701955-XXX	