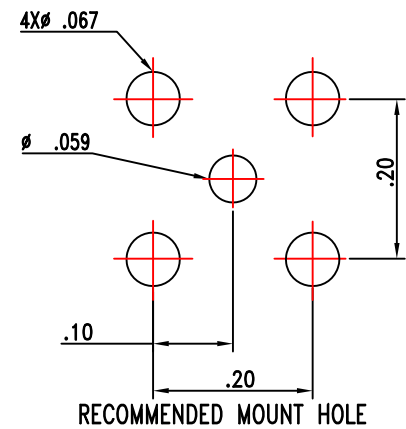
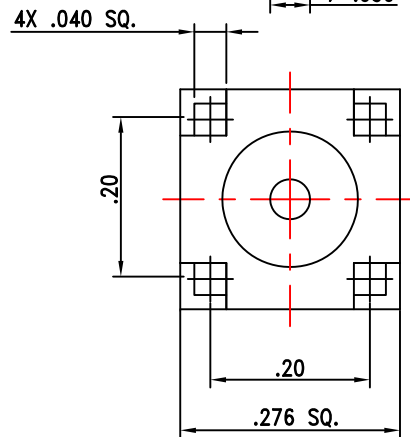
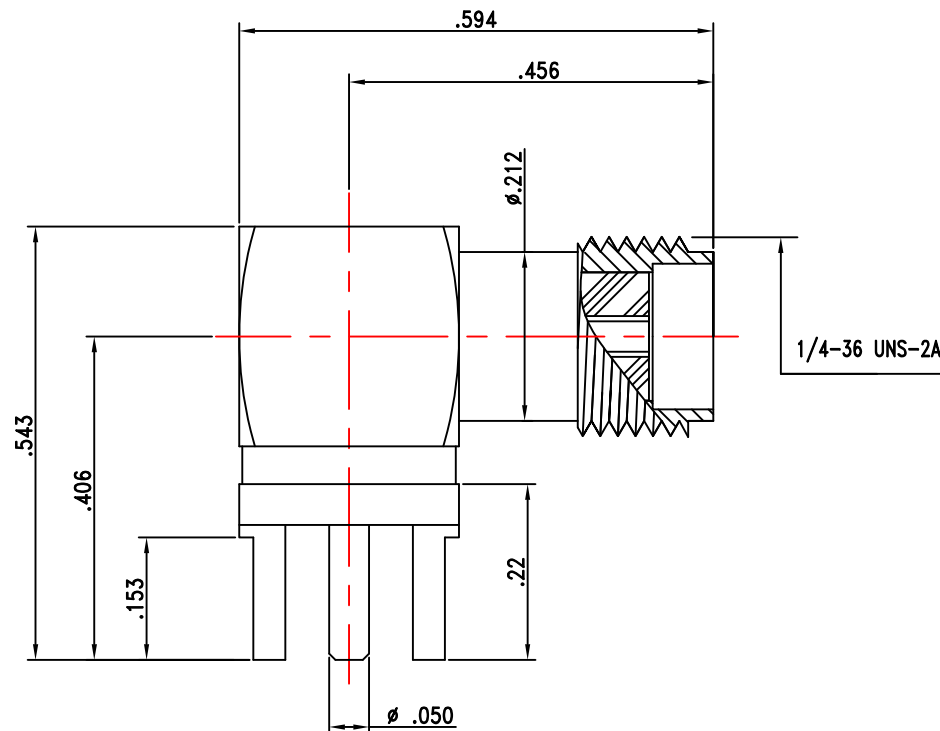


**RoHS  
COMPLIANT**



**ELECTRICAL SPECIFICATIONS:**  
 FREQUENCY RANGE: 18 GHz  
 NOMINAL IMPEDANCE: 50 Ω

**MATERIALS:**  
 CONTACT: BERYLLIUM COPPER PER ASTM-B-196  
 INSULATOR: PTFE PER ASTM-D-1710  
 BODY: BRASS PER ASTM-B-16

**FINISHES:**  
 BODY AND CONTACT : GOLD PLATE PER MIL-G-45204

THIS DRAWING THE DESIGN AND IDEAS EMBODIED IN THE DEVICE TO WHICH IT RELATES AND THE METHOD OF PRODUCING THE DEVICE SHALL NOT BE EMPLOYED COPIED OR DISCLOSED TO ANYONE IN ANY MANNER WITHOUT THE CONSENT OF AN EZ FORM COMPANY OFFICIAL

APPD		
BY		
DATE		
DESCRIPTION		
REV.		

<b>UNLESS OTHERWISE SPECIFIED:</b>			
DIMENSIONS ARE IN INCHES:		TOLERANCES:	
DECIMALS:	FRACTIONS	± 1/64	SCALE
2-PLACE ++ .010	ANGLES	± 3°	—
3-PLACE + .005			
MATERIAL:			
FINISH:			
DRAWN	DATE	CHECKED	DATE
DK	10/3/14	J.A.B.	10/3/14
APPROVED	DATE	SHEET	OF
AT	10/3/14		

<b>EZ FORM</b> <b>CABLE CORPORATION</b> <b>HAMDEN, CT. 06517</b>			
<b>SMA RIGHT ANGLE JACK</b> <b>PC MOUNT</b>			
<b>A</b>	CODE IDENT.	705431-001SMA	REV.
			-