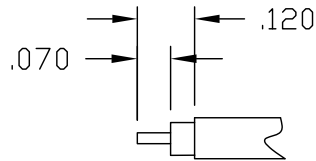
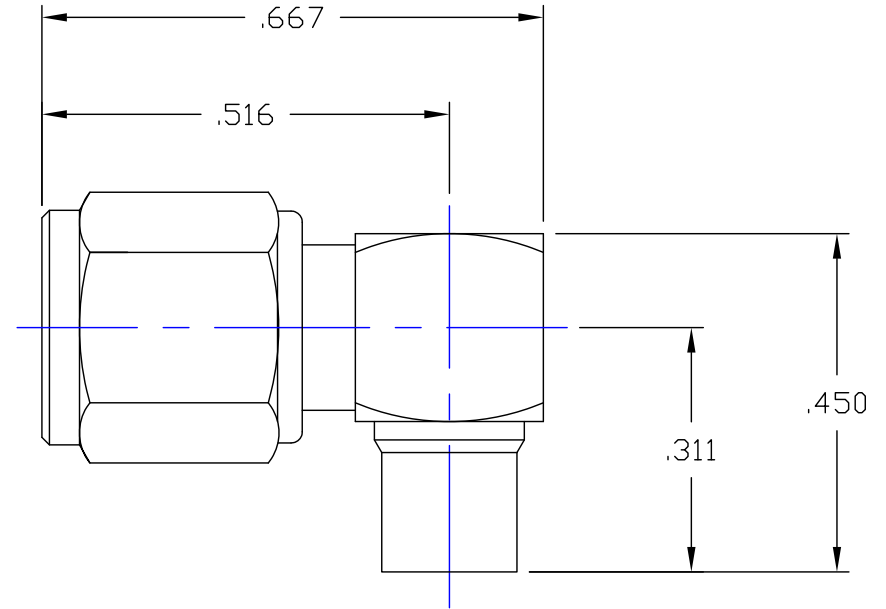


NOTES:
INTERFACE CONFORMS TO MIL-PRF-39012 & MIL-STD-348, SMA SERIES

MATERIALS:
BODY, CONTACT, COUPLING NUT,
& CAP- BRASS PER ASTM-B-16
SNAP RING- BERYLLIUM COPPER PER ASTM-B-196
GASKET- SILICONE PER ZZ-R-765
INSULATORS- TEFLON PER ASTM-D-1710

FINISHES:
CONTACT, BODY, COUPLING NUT,
& CAP- GOLD PLATE PER MIL-DTL-45204



RECOMMENDED
CABLE STRIPPING DIM'S

THIS DRAWING THE DESIGNS AND IDEAS EMBODIED IN THE DEVICE TO WHICH IT RELATES AND THE METHOD OF PRODUCING THE DEVICE SHALL NOT BE EMPLOYED COPIED OR DISCLOSED TO ANYONE IN ANY MANNER WITHOUT THE CONSENT OF AN EZ FORM COMPANY OFFICIAL

APPD	A.T.	
BY	T.D.	
DATE	8/2/16	
DESCRIPTION	ECN #9999 UPDATED MATERIALS & FINISHES TO INCLUDE CAP. ADDED SMA TO P/N.	
REV.	A	

UNLESS OTHERWISE SPECIFIED:

DIMENSIONS ARE IN INCHES; TOLERANCES:		SCALE	
DECIMALS:	FRACTIONS	± 1/64	
2-PLACE ± .010	3-PLACE ± .015	ANGLES ± 3°	
MATERIAL:			
FINISH:			
DRAWN	DATE	CHECKED	DATE
P.J.P.	3-26-03	J.A.B.	3-26-03
APPROVED	DATE	SHEET	OF
T.A.R.	3-26-03	1	1

EZ FORM
CABLE CORPORATION
HAMDEN, CT 06517

TITLE			
SMA RIGHT ANGLE MALE PLUG FOR .141 SEMI RIGID CABLE			
A	CODE IDENT.	705516-001 SMA	REV.
	9W826		A