

INTEFFACE CONFORMS TO MIL-PRF-39012 TYPE NM
FOR USE WITH RG-402 .141 DIA. SEMI RIGID CABLE

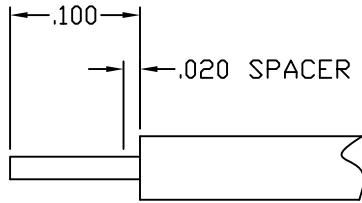
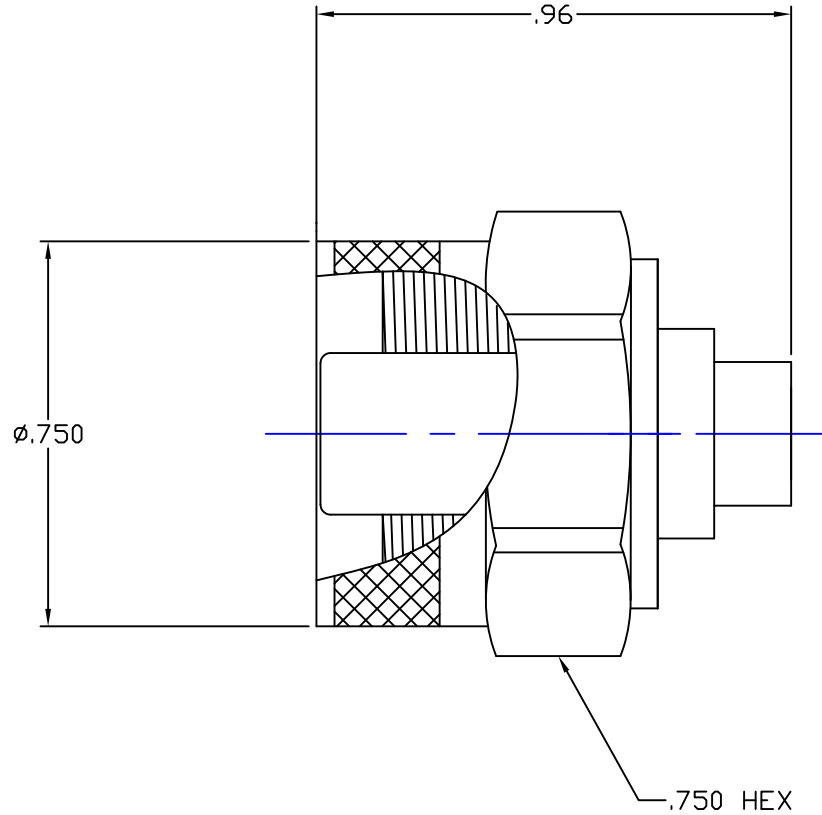
MATERIALS:

BODY COUPLING NUT, CONTACT— BRASS 1/2 HD PER ASTN-B-16
INSULATOR ———— TEFLON PER ASTM-D-1710
GASKET ———— SILICONE PER ZZ-R-765
SNAP RING ———— BERYLLIUM COPPER PER ASTM-B-196

FINISHES:

CONTACT ———— GOLD PLATED PER MIL-G-45204
COUPLING NUT ———— NICKEL PLATED PER QQ-N-290
BODY ———— SILVER PLATE PER QQ-S-365

RECOMMENDED TORQUE 10-12 IN POUNDS
FREQUENCY RANGE DC TO 18 GHz



RECOMMENDED CABLE
STRIPING DIM.

THIS DRAWING THE DESIGNS AND IDEAS EMBODIED IN THE DEVICE TO WHICH IT RELATES AND THE METHOD OF PRODUCING THE DEVICE SHALL NOT BE EMPLOYED COPIED OR DISCLOSED TO ANYONE IN ANY MANNER WITHOUT THE CONSENT OF ANVEZ FORM COMPANY OFFICIAL

APPD	A.T. 11-15-06	
BY DATE	P.J.P. 11-15-06	
DESCRIPTION	BODY PLATING WAS GOLD	
REV.	A	

UNLESS OTHERWISE SPECIFIED:			
DIMENSIONS ARE IN INCHES: TOLERANCES:			SCALE
DECIMALS:		FRACTIONS: $\pm 1/64$	
2-PLACE $\pm .010$		ANGLES: $\pm 3^\circ$	
3-PLACE $\pm .005$			
MATERIAL:	_____		
FINISH:	_____		
DRAWN	DATE	CHECKED	DATE
P.J.P.	9-13-01	T.A.R.	9-13-01
APPROVED	DATE	SHEET	OF
J.A.B.	9-13-01		

EZ FORM CABLE CORPORATION HAMDEN, CT. 06517			
TITLE TYPE "N" MALE PLUG FOR .141 DIA SEMI RIGID CABLE DIRECT SOLDER WITH HEX NUT			
A	CODE IDENT. 9W826	CD-705930-103	REV. A