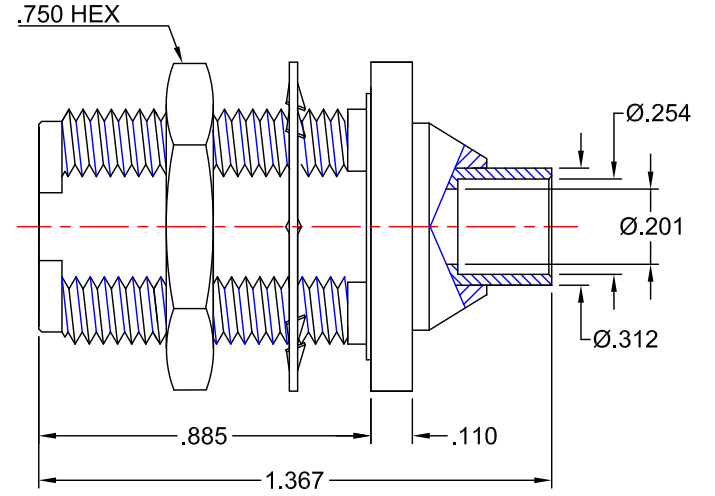
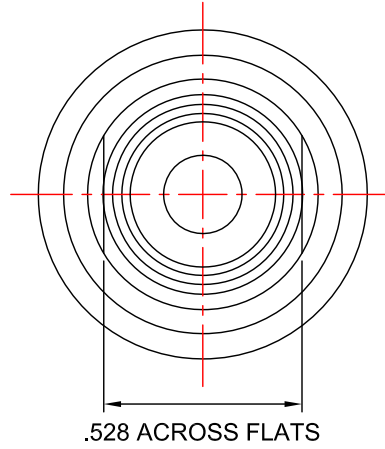


RoHS  
COMPLIANT



**NOTES:**

INTERFACE CONFORMS TO MIL-PRF-39012 AND MIL-STD-348 TYPE "N" SERIES

**ELECTRICAL:**

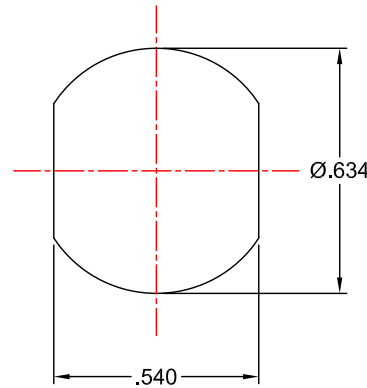
NOMINAL IMPEDANCE: 50Ω  
FREQUENCY RANGE: DC TO 11 GHz

**MATERIALS:**

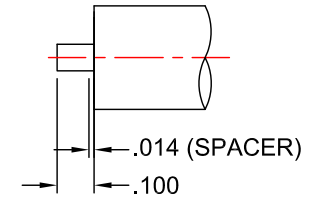
INSULATOR: TEFLON PER ASTM-D-1710  
CONTACT: BERYLLIUM COPPER PER ASTM-B-196  
BODY & JAM-NUT: 360 ALLOY BRASS 1/2 HARD PER ASTM-B-16  
GASKET: SILCONE RUBBER PER ZZ-R-765  
WASHER: PHOSPHOR BRONZE PER ASTM-B-139

**FINISHES:**

CONTACT & SOLDER BODY: GOLD PLATE PER MIL-DTL-45204  
BODY, JAM-NUT, & WASHER: NICKEL PLATE PER QQ-N-290



RECOMMENDED MOUNTING HOLE



RECOMMENDED CABLE STRIPPING DIMENSIONS

PROPRIETARY NOTICE

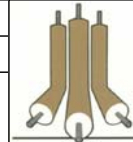
THIS DRAWING AND DESIGNES AND IDEAS EMBEDDED IN THE DEVICE TO WHICH IT RELATES AND THE METHOD OF PRODUCING THE DEVICE SHALL NOT BE EMPLOYED COPIED OR DISCLOSED TO ANYONE IN ANY MANNER WITHOUT THE WRITTEN CONSENT OF AN EZ FORM COMPANY OFFICIAL

APPD. DATE	T.D. DATE	
BY DATE	J.N. DATE	
DESCRIPTION	INITIAL RELEASE	
REV.	-	

**UNLESS OTHERWISE SPECIFIED:**

DIMENSIONS ARE IN INCHES:  
TOLERANCES: NONE

SCALE  
2:1



**EZ Form Cable Corporation**  
285 Welton Street  
Hamden, CT 06517  
WWW.ezform.com

MATERIAL	SEE NOTES	
FINISH	SEE NOTES	
DRAWN	DATE	CHECKED
J.N.	4/4/17	T.D.
APPROVED	DATE	SHEET 1 OF 1
A.T.	4/4/17	

TITLE			
TYPE "N" BULKHEAD JACK FOR .250 S/R CABLE			
A	CODE IDENT.	708938-401N	REV.
	9W826		-