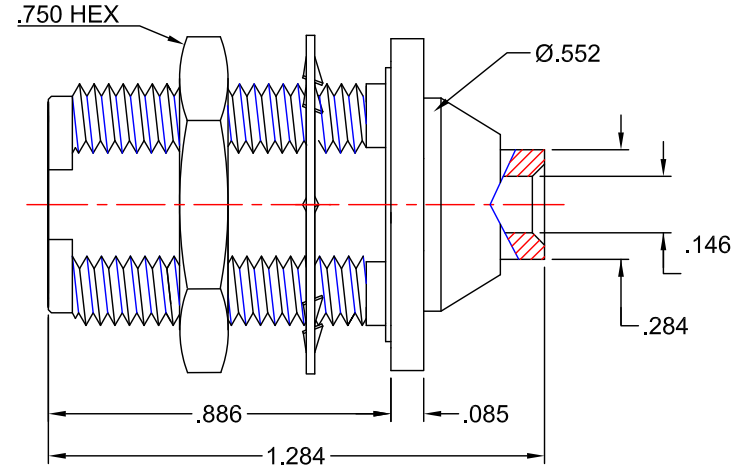
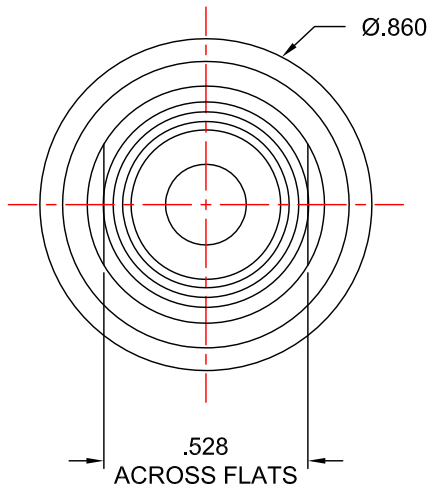
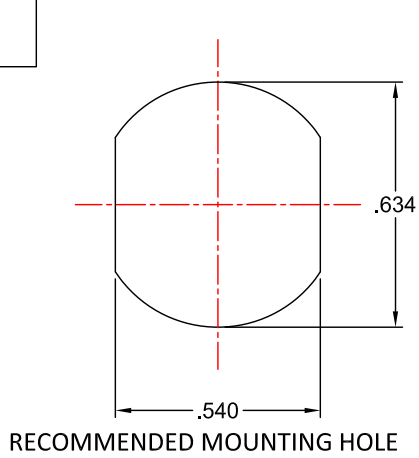


RoHS
COMPLIANT



NOTES:

INTERFACE CONFORMS TO MIL-PRF-39012
AND MIL-STD-348 TYPE "N" SERIES

ELECTRICAL:

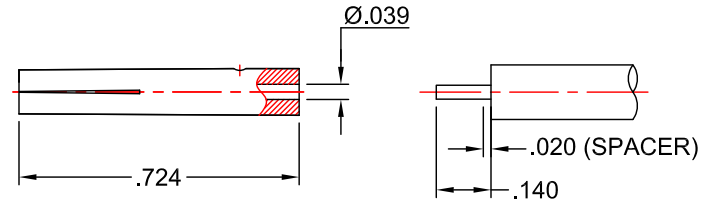
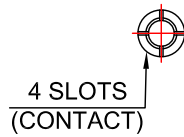
NOMINAL IMPEDANCE: 50Ω
FREQUENCY RANGE: DC TO 11 GHz

MATERIALS:

INSULATOR: TEFLON PER ASTM-D-1710
CONTACT: BERYLLIUM COPPER PER ASTM-B-196
BODY & JAM-NUT: 360 ALLOY BRASS 1/2 HARD PER ASTM-B-16
GASKET: SILCONE RUBBER PER ZZ-R-765
WASHER: PHOSPHOR BRONZE PER ASTM-B-139

FINISHES:

CONTACT & SOLDER BODY: GOLD PLATE PER MIL-DTL-45204
BODY, JAM-NUT, & WASHER: NICKEL PLATE PER QQ-N-290



RECOMMENDED CABLE
STRIPPING DIMENSIONS

PROPRIETARY NOTICE

THIS DRAWING AND DESIGNS AND IDEAS EMBEDDED IN THE DEVICE TO WHICH IT RELATES AND THE METHOD OF PRODUCING THE DEVICE SHALL NOT BE EMPLOYED COPIED OR DISCLOSED TO ANYONE IN ANY MANNER WITHOUT THE WRITTEN CONSENT OF AN EZ FORM COMPANY OFFICIAL

APPD. DATE	T.D. 4/12/17	
BY DATE	J.N. 4/12/17	
DESCRIPTION	INITIAL RELEASE	
REV.	-	

UNLESS OTHERWISE SPECIFIED:			
DIMENSIONS ARE IN INCHES:		SCALE 2:1	
TOLERANCES: NONE			
MATERIAL SEE NOTES			
FINISH SEE NOTES			
DRAWN J.N.	DATE 4/12/17	CHECKED T.D.	DATE 4/12/17
APPROVED A.T.	DATE 4/12/17	SHEET 1 OF 1	

		EZ Form Cable Corporation 285 Welton Street Hamden, CT 06517 WWW.ezform.com	
TYPE "N" JACK FOR .141 S/R CABLE			
A	CODE IDENT. 9W826	708938-402N	REV. -